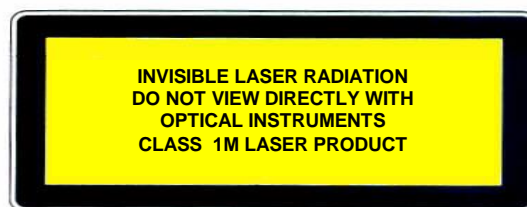


# Laser Precipitation Monitor

## Instruction for Use

5.4110.xx.x00

V2.7x STD



Dok. No. 021341/11/21

THE WORLD OF WEATHER DATA

### Safety Instructions

- Before operating with or at the device/product, read through the operating instructions. This manual contains instructions which should be followed on mounting, start-up, and operation. A non-observance might cause:
  - failure of important functions
  - endangerment of persons by electrical or mechanical effect
  - damage to objects
- Mounting, electrical connection and wiring of the device/product must be carried out only by a qualified technician who is familiar with and observes the engineering regulations, provisions and standards applicable in each case.
- Repairs and maintenance may only be carried out by trained staff or **Adolf Thies GmbH & Co. KG**. Only components and spare parts supplied and/or recommended by **Adolf Thies GmbH & Co. KG** should be used for repairs.
- Electrical devices/products must be mounted and wired only in a voltage-free state.
- **Adolf Thies GmbH & Co KG** guarantees proper functioning of the device/products provided that no modifications have been made to the mechanics, electronics or software, and that the following points are observed:
  - All information, warnings and instructions for use included in these operating instructions must be taken into account and observed as this is essential to ensure trouble-free operation and a safe condition of the measuring system / device / product.
  - The device / product is designed for a specific application as described in these operating instructions.
  - The device / product should be operated with the accessories and consumables supplied and/or recommended by **Adolf Thies GmbH & Co KG**.
  - Recommendation: As it is possible that each measuring system / device / product may, under certain conditions, and in rare cases, may also output erroneous measuring values, it is recommended using redundant systems with plausibility checks for **security-relevant applications**.

### Environment

- As a longstanding manufacturer of sensors Adolf Thies GmbH & Co KG is committed to the objectives of environmental protection and is therefore willing to take back all supplied products governed by the provisions of "ElektroG" (German Electrical and Electronic Equipment Act) and to perform environmentally compatible disposal and recycling. We are prepared to take back all Thies products concerned free of charge if returned to Thies by our customers carriage-paid.
- Make sure you retain packaging for storage or transport of products. Should packaging however no longer be required, please arrange for recycling as the packaging materials are designed to be recycled.



### Documentation

- © Copyright **Adolf Thies GmbH & Co KG**, Göttingen / Germany
- Although these operating instruction has been drawn up with due care, **Adolf Thies GmbH & Co KG** can accept no liability whatsoever for any technical and typographical errors or omissions in this document that might remain.
- We can accept no liability whatsoever for any losses arising from the information contained in this document.
- Subject to modification in terms of content.
- The device / product should not be passed on without the/these operating instructions.

## **Contents**

1	Models .....	5
2	General .....	5
3	Mode of Operation of the Laser Precipitation Monitor .....	6
4	Construction of the Measuring Instrument .....	8
4.1	Heating .....	12
4.1.1	Variant Extended Heating (5.4110.x1.xxx) .....	12
5	Installation .....	13
5.1	Suggestions for Mounting Place .....	13
5.2	Mechanical Installation .....	14
5.2.1	Mounting on Mast .....	14
5.2.2	Mounting Angle .....	16
5.2.3	Mounting of the Housing Cover .....	17
5.3	Electrical Installation .....	17
5.3.1	Electrical installation with cable glands .....	18
5.3.2	Closing the Instrument Cover .....	20
5.3.3	Optocoupler output .....	21
6	Maintenance .....	22
6.1	Cleaning .....	22
6.2	Calibration .....	22
6.3	Checking the sensor .....	22
6.3.1	Checking the LED's .....	23
6.3.2	Checking by means of a terminal program .....	24
7	Serial communication .....	25
7.1	General telegram format .....	26
7.2	List of Commands .....	27
7.2.1	Communication commands .....	28
7.2.2	Reset / Version commands .....	30
7.2.3	Data telegrams commands .....	31
7.2.4	Time / Date commands .....	33
7.2.5	Diagnostics commands .....	35
7.2.6	Calibration commands .....	39
7.2.7	Quantity measurement commands .....	40
7.2.8	Digital output commands .....	41
7.3	Data Telegrams .....	45
7.3.1	Telegram 4/5: Synop, Metar, Disdrometer, optional measuring channel .....	45
7.3.2	Telegram 6/7: Synop, Metar, optional measuring channel .....	56
7.3.3	Telegram 8/9: Synop, Metar, optional measuring channel truncated .....	57
7.3.4	Telegram 10: Synop, Metar, optional measurement channels, averaging .....	59
7.3.5	Telegram 3: Particle-Event .....	61
8	Technical Data .....	62
9	Wiring Diagram .....	67
10	EC-Declaration of Conformity .....	70

## **Figure**

Figure 1: Measurement of the precipitation particle .....	6
Figure 2: Explanation of the measuring principle .....	6
Figure 3: Schematic Block Diagram .....	8
Figure 4: Side view .....	10
Figure 5: View from above .....	10
Figure 6: View of the electronic unit / Board for 5.4110.01.200 (version "Extended heating") .....	11
Figure 7: Example for an appropriate mast foundation .....	15
Figure 8: Strap housing .....	16
Figure 9: Strap, Mast, Mounting angle .....	16
Figure 10: Screen cable connection to the cable gland .....	19
Figure 11: Connection of power supply (here 115 or 230VAC) with ferrite tube and binder ..	20
Figure 12: Examples for the connection to the opto-couplers .....	21

## **Table**

Table 1: Example for the speed of liquid particles .....	7
Table 2: List of baud rates with telegram BR .....	29
Table 3: Parameter D1/D2 command .....	42
Table 4: Parameter 17 (command D1 and D2) .....	43
Table 5: Parameter 19 (command D1 and D2) .....	44
Table 6: Disdrometer class binning of diameter and speed .....	53
Table 7: Code table SYNOP/METAR .....	54
Table 8: Intensity steps SYNOP + METAR .....	55

## **Shipment**

- 1 x LNM
- 1 x Short instructions for use (the complete instructions for use is available for download)
- 1 x Factory calibration certification

The instructions for use are available for download under the following link:

[https://www.thiesclima.com/db/dnl/5.4110.xx.x00\\_Laser\\_Precipitation\\_Monitor\\_eng.pdf](https://www.thiesclima.com/db/dnl/5.4110.xx.x00_Laser_Precipitation_Monitor_eng.pdf)

## 1 Models

Order-No.	Operating Voltage	Option Meas. Channel	Option Extended Heating	Type of Connection
5.4110.00.000	24V ~/= AC/DC	No	No	Cable gland
5.4110.00.100	115V~ AC	No	No	Cable gland
5.4110.00.200	230V~ AC	No	No	Cable gland
5.4110.00.300	12...24V= DC	No	No	Cable gland
5.4110.10.000	24V ~/= AC/DC	Yes	No	Cable gland
5.4110.10.100	115V~ AC	Yes	No	Cable gland
5.4110.10.200	230V~ AC	Yes	No	Cable gland
5.4110.10.300	12...24V= DC	Yes	No	Cable gland
5.4110.01.000	24V + 26V ~/= AC/DC	No	Yes	Cable gland
5.4110.01.100	115V~ AC	No	Yes	Plug connecting + Cable gland
5.4110.11.100	115V~ AC	Yes	Yes	Plug connecting + Cable gland
5.4110.01.200	230V~ AC	No	Yes	Plug connecting + Cable gland
5.4110.11.200	230V~ AC	Yes	Yes	Plug connecting + Cable gland

Electrical outputs for all versions: RS485/422 and two optocouplers.

## 2 General

The Laser Precipitation Monitor serves as measuring value transmitter, and is well-suited for the measurement and detection of different types of precipitation such as drizzle, rain, hail, snow, and mixed precipitation.

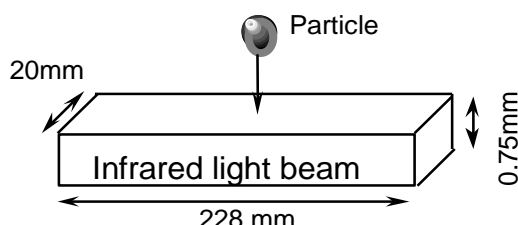
The acquisition comprises the types of precipitation, intensity, and the spectrum. All measuring values are available for the user via an RS 485/422 interface. In addition, the instrument is equipped with two digital outputs (optocouplers), which indicates, for example, amount and state of precipitation. The optical components are equipped with an integrated heating.

Instruments with „optional measuring channels” are able to connect temperature, rel. humidity, wind speed, and wind direction sensors in addition. These values are available, as well, via the RS 485/422 interface.

On sites with rough climate the variant “extended heating” is available.

### 3 Mode of Operation of the Laser Precipitation Monitor

A laser-optical beaming source (laser diode and optics) produces a parallel light-beam (infrared, 785nm, not visible). A photo diode with a lens is situated on the receiver side in order to measure the optical intensity by transforming it into an electrical signal.



**Figure 1: Measurement of the precipitation particle**

When a precipitation particle falls through the light beam (measuring area 45,6cm<sup>2</sup>(7inch<sup>2</sup>)) **Figure 1: Measurement of the precipitation particle** the receiving signal is reduced. The diameter of the particle is calculated from the amplitude of the reduction. Moreover, the fall speed of the particle is determined from the duration of the reduced signal.



**Figure 2: Explanation of the measuring principle**

The measured values are processed by a signal processor (DSP), and checked for plausibility (e.g. edge hits). Calculation comprises the intensity, quantity, and type of precipitation (drizzle, rain, snow, soft hail, hail as well as mixed precipitation), and the particle spectrum (distribution of the particles over the class binning).

The type of precipitation is determined from the statistic proportion of all particles referring to diameter, and velocity. These proportions have been tested scientifically (e.g. Gunn, R., and Kinzer, G.D., 1949, "The terminal velocity of fall for water droplets in stagnant air," *J. of Meteorology*, Vol. 6, pp. 243–248). In addition, temperature is included in order to improve the identification: Precipitations with a temperature of above 9°C are automatically accepted as liquid (exception: soft hail, and hail), and with a temperature of below –4°C as solid. In the temperature range between, all forms of precipitation might occur.

Diameter [mm]	Fall speed [m/s]
0.2 (drizzle)	0.73
0.3 (drizzle)	1.2
0.8 (rain)	3.3
0.9 (rain)	3.7
1.8 (rain)	6.1
2.2 (rain)	6.9
3.2 (rain)	8.3
5.8 (rain)	9.2

**Table 1: Example for the speed of liquid particles**

The calculated data are memorized over one minute, and then transmitted via the serial interface.

The instrument is almost maintenance-free. Only the panes of the sensor heads should be cleaned, if necessary. An application all the year round is guaranteed by the integrated pane-heating. For application in areas of extreme weather conditions (for example high mountains) we recommend a model with “extended heating”. The effect of external light is minimized by a modulated light source of 173kHz (so-called „Lock-In“ technology). The effect of aging and temperature on the components as well as the soiling of the glass panes is compensated by controlling the receiving capacity. A watch-dog device controls the signal processor (DSP). The sensor controls its function by measuring and checking the receiving signals for soiling, as well as checking the laser driver for current and temperature. By using a flash-memory the internal software can be updated any time via the serial interface.

The following outputs are available: an electrically isolated serial interface (RS485) as well as two digital outputs (optocoupler). Thanks to the configurable digital outputs this sensor can be used as an alternative for precipitation monitors (e.g. IRSS88 or Thies 5.4103.10.000), and for precipitation sensors (e.g. tipping bucket).

The function of the digital outputs is programmable. For example: output 1

0,1mm or 0,01 resp. 0,005 mm precipitation per pulse corresponding to the cumulatively measured precipitation quantity. Output 2, for example, as precipitation event monitor, or as additional event output „solid precipitation“ (snow, snow-grains, soft hail, hail) in conjunction with output 1.

In addition, the following sensors can be connected optionally (at 5.4110.1x.xxx „Option Measuring Channels“):

- Temperature (Pt100, not available with option “Extended Heating”).
- Relative humidity (0-1V / 0-100% rel. humidity).
- Wind speed (frequency 0- 630 Hz for example 4.3519.00.000).
- Wind direction (serially synchronous for example 4.3129.00.000).

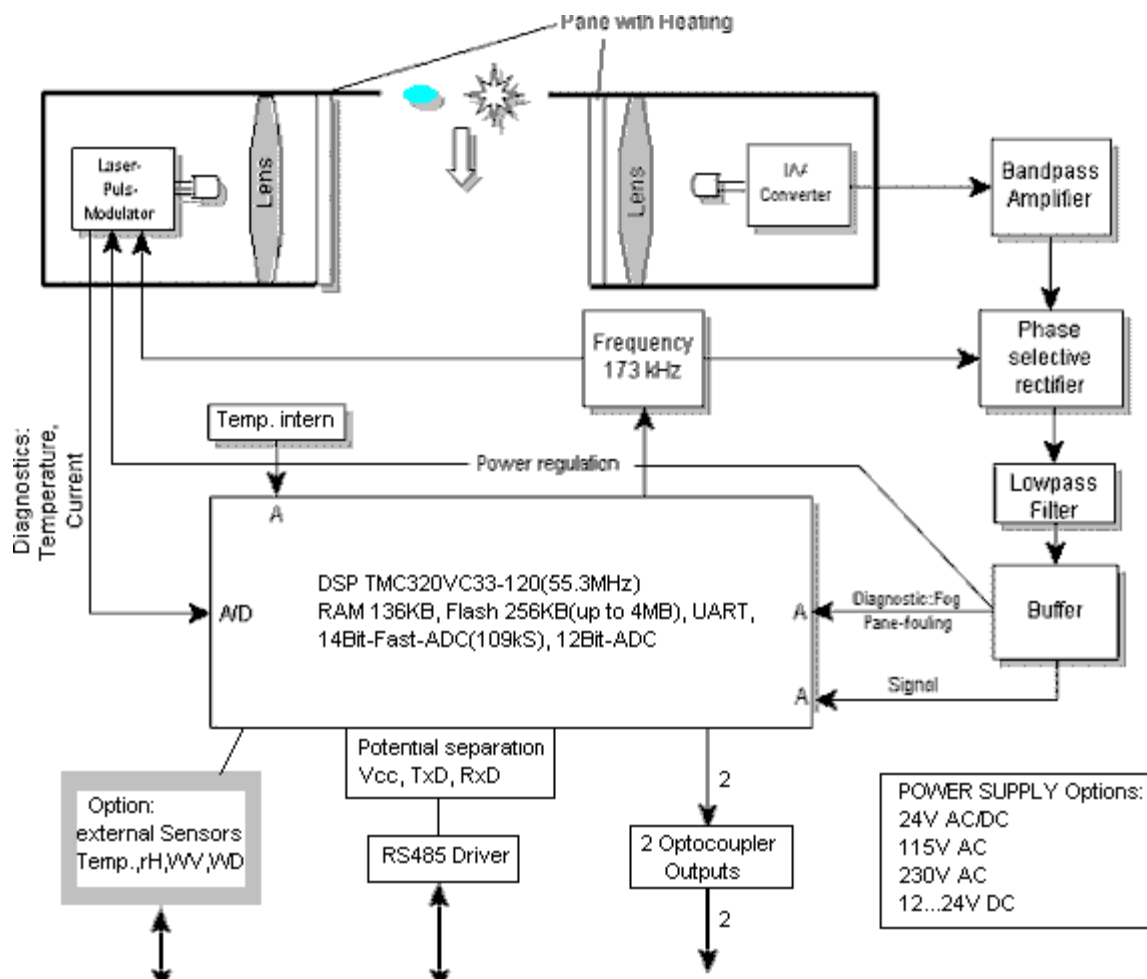


Figure 3: Schematic Block Diagram

In explanation of the construction, and the basic function the block diagram **Figure 3** shows schematically the most important functional connections (variant "Extended Heating" not shown).

## 4 Construction of the Measuring Instrument

The Laser Precipitation Monitor consists of the following: a varnished aluminium housing, protection IP 65, a laser head (anodised aluminium), fixed at the housing cover, a receiver head (anodised aluminium) fastened by means of carrier arms (see also **Figure 4** and **Figure 5**).

The aluminium housing contains the electronics with all necessary interfaces. Furthermore, the electronics is equipped with light diodes (LED's), which facilitate an easy and efficient check resp. diagnosis of the sensor even without serial data connection (**Figure 6**). In the chapter "Maintenance" (see **chapter 6**) you find a functional description of the LED's.



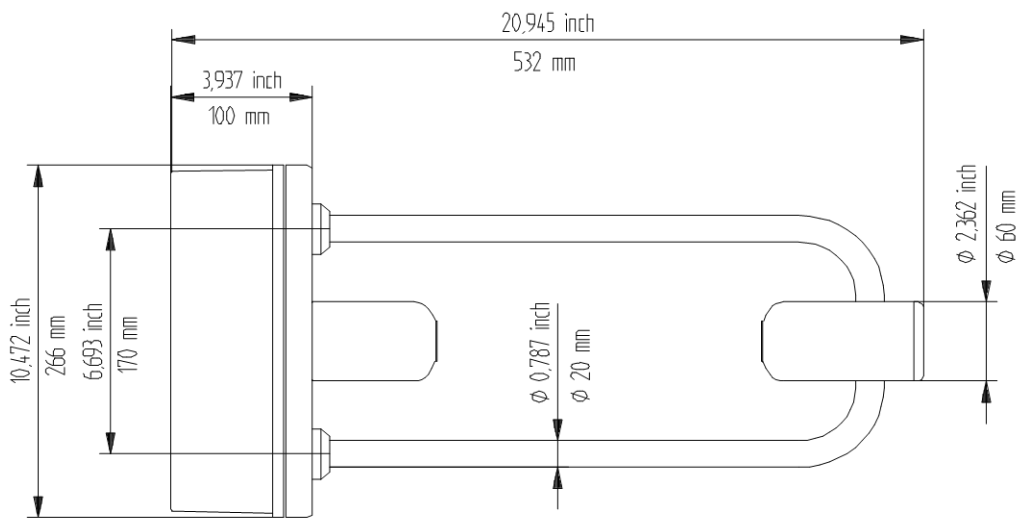
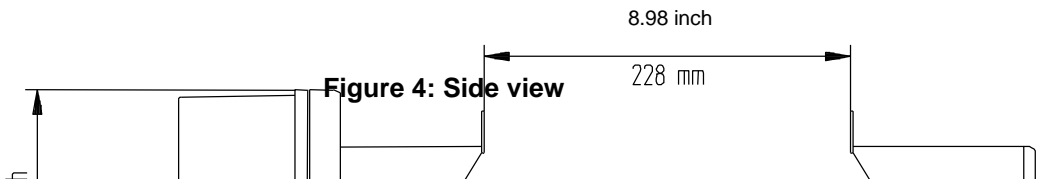
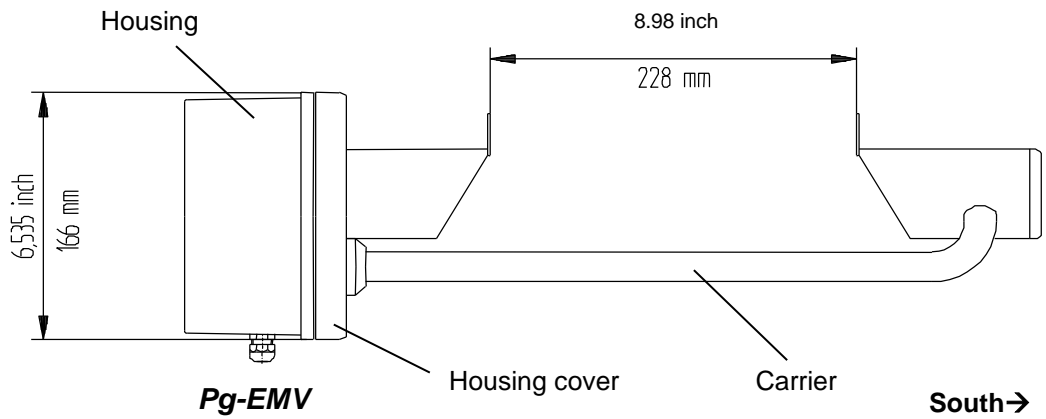
The replaceable laser head consists of a laser driver circuit board (incl. laser diode), a rectangular window for the beam forming, a lens and a heated glass pane. The electrical connection to the electronics is carried out by a 10-pole ribbon flat cable leading to the "Connector Laser".

The receiver head consists of a receiving circuit board with photo diode and electronics, a lens and a heated glass pane. The electrical connection is done by a 6-pole ribbon flat cable leading to the "Connector Receiver".

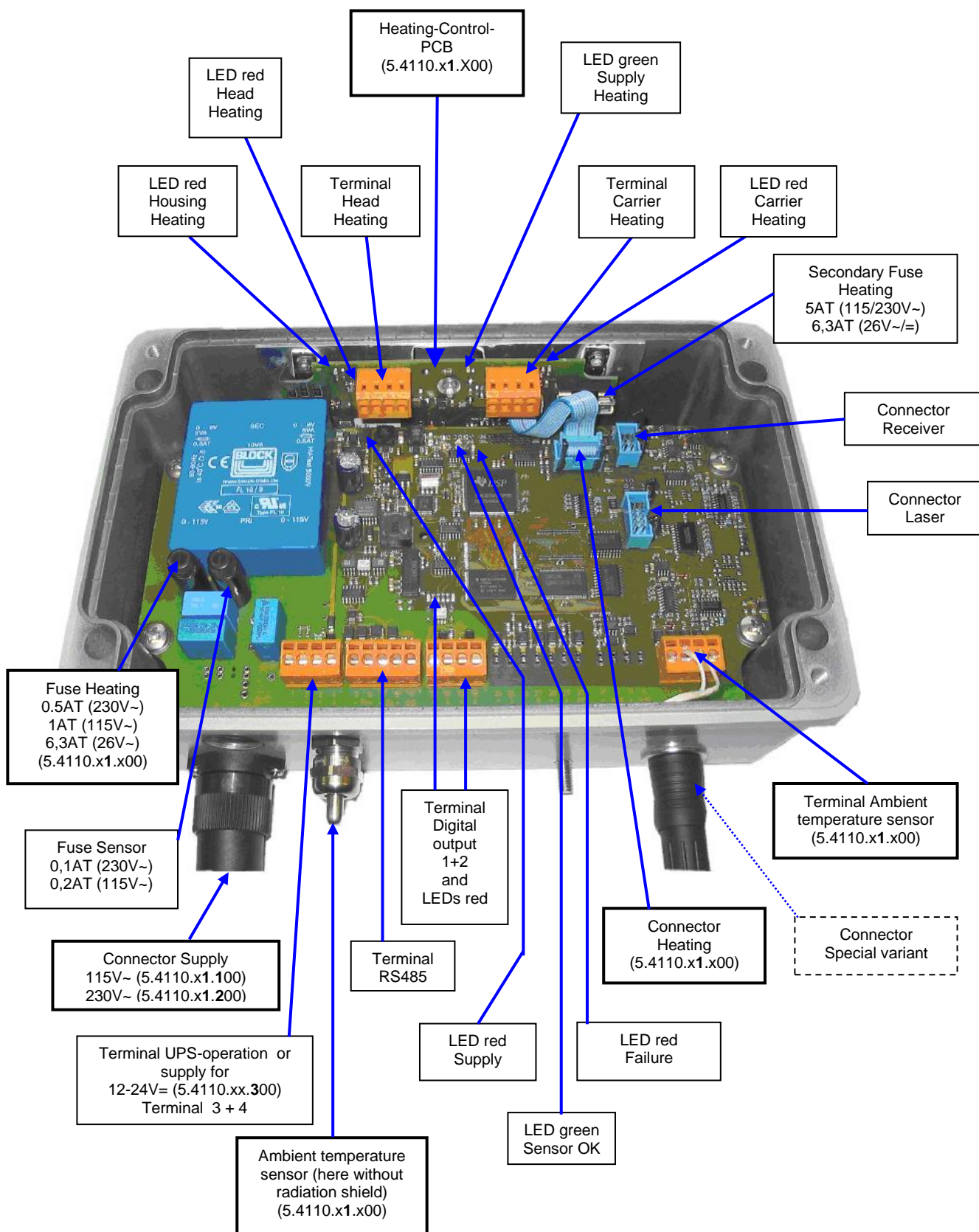
**Attention:**

***Do not look into the invisible laser beam! In case the laser caution labels on the housing are not legible any more the sensor must not be operated!***

***Even with a longer exposure time the intensity of the invisible laser beam is considered as safe for the human eye (without using optical instruments). A skin-contact with the invisible radiation is, in general, harmless.***



**Figure 5: View from above**



**Figure 6: View of the electronic unit / Board for 5.4110.01.200 (version “Extended heating”)**

**Note:** Differences to variant 5.4110.00.200 are accentuated with heavy print frames.

## 4.1 Heating

All sensor variants have heated glass panes on both heads to prevent interferences through freeze up, steaming up or similar. The heating power is controlled in subject to the ambient conditions.

The heating current are measured for self diagnostic and could be read through the diagnostics command ("DD", only available with PCB Rev.B, see **Figure 6**).

### 4.1.1 Variant Extended Heating (5.4110.x1.xxx)

In addition to the two glass pane heatings this variant has 3 heating circuits to prevent against malfunction due to icing and packing of snow:

1. Housing (top side).
2. Heads (under the stainless steel components).
3. Carriers (straight section of the carriers at the receiver head).

This three heating circuits are controlled separately against the ambient temperature (ambient temperature sensor, see also **Figure 6**). The heating power varies from 10% to 100%. The heatings are switched on from a measured temperature under 3°C.

Whether the respective heating circuit is switched on, can be checked by observing the corresponding red LED on the Heating-Control-PCB (**Figure 6**.)

The heating currents and the supply voltage of the heating are measured for self diagnostic and could be read through the diagnostics command ("DD").

With the commands „HK“, „HB“ and „HG“ (see **chapter 7.2.5**) you can individually switch on a heating circuit for one minute for testing.

## 5 Installation



**Attention:**

***The instrument must be mounted and wired only by a qualified expert, who knows and observes the generalities of technics, and applicable regulations and norms.***



**Attention:**

***Do not look into the invisible laser beam!  
In case the laser caution labels on the housing are not legible any more the sensor must not be operated!  
Even with a longer exposure time the intensity of the invisible laser beam is considered as safe for the human eye (without using optical instruments).  
A skin-contact with the invisible radiation is, in general, harmless.***



**Attention:**

***Head and carrier heatings could be hazardous hot! Burn Hazard! (applies only for 5.4110.x1.xxx)***

### 5.1 Suggestions for Mounting Place

Please note the following when selecting the location:

The sub-surface under the Laser Precipitation Monitor shall not consist of dark stone, asphalt or the like, as otherwise, in case of strong sunshine radiation, the ascending air will form so-called streaks. As sub-surface we recommend a lawn.

Depending on the wind speed and wind direction the precipitation particles are swirled by the Laser Precipitation Monitor so that the fall speed is changed. This might cause a deterioration of the sensor quality. Therefore, you should avoid an installation in the open country (particularly mountain tops) or directly in the lee of an obstacle. Well-suited are flat locations with wind breaks (e.g. hedges).

According to the WMO-directive for precipitation measuring instruments the distance between the installed sensors and the next obstacle should be at least four times the height of this obstacle.

If this is not practicable, at least keep an azimuth angle of  $< 45^\circ$  with regard to the surrounding plants, buildings etc. Logically consistent would be also to mount the sensor on a mast top. We recommend a measuring height of at least 1m or rather 1.5 to 2m in snowy sites. Other devices should be mount with a distance of at least 1m on the same mast. The side distance to other objects should be greater than 2m.

We recommend to operate the Laser Precipitation Monitor in an enclosed area for human safety, although the intensity of the invisible laser beam is considered as safe for the human eye (without using optical instruments, Laser Class 1M according to EN 60825-1:1994 A2:2001). Pay attention to stand to local regulations regarding laser safety.

It is not advisable to install the Laser Precipitation Monitor directly on a street, because it is, for example, possible that water particles, whirled up by the vehicles, might lead to erroneous measurements. In this case, we recommend to install the instrument with a respective distance and height. At streets the alignment of the sensor should be not to the south, but at right angles with the street (receiver head farthest away to the lane).

## 5.2 Mechanical Installation

Tools:

- Allen wrench (Inbus) SW4.
- Combination wrench or ring spanner wrench SW10.
- Combination wrench SW16 und SW20.
- Tools to work in cables (for example: skinning tool, gripper for cable end sleeve).
- Screw driver for slotted screws, blade width 2 and 6mm.
- Tools for the shortening of straps.

### 5.2.1 Mounting on Mast

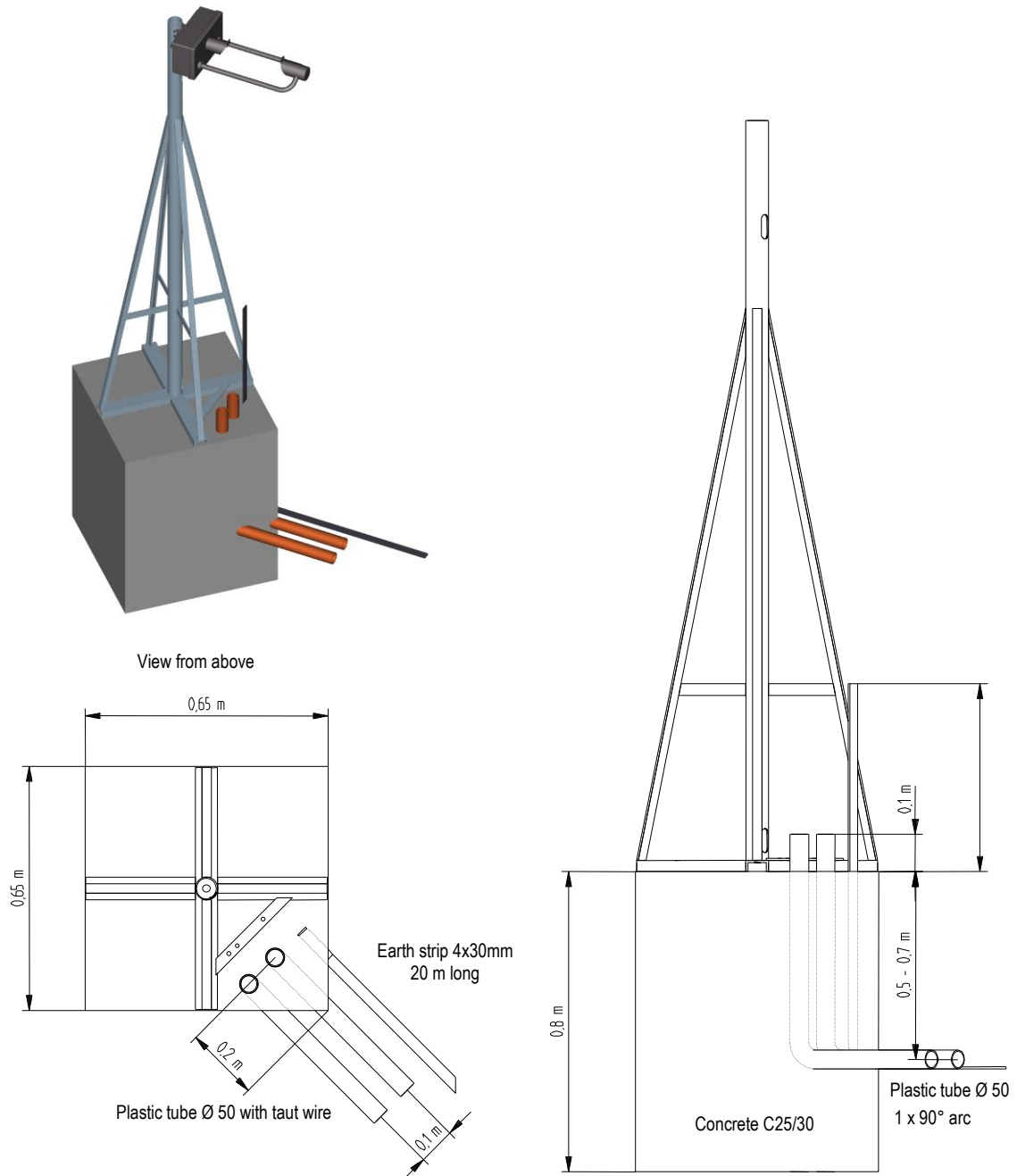
The delivered mast holder of the Laser Precipitation Monitor is designed for a mast diameter of 48... 102mm (1.9... 4inch). The mast should be electro-conductive, and be connected to the ground potential (foundation/grounding bound). Otherwise, the sensor is to be connected to the ground potential by a cable with minimum 6mm<sup>2</sup> diameter. Due to its sensitivity the sensor is susceptible to vibrations. Therefore, the mast diameter should be preferably large, and the mast should be fixed on a concrete foundation by means of firmly welded-on struts. From a mast height of approx. 2m up the mast should be additionally fixed by three stay-wires.

**Remark:** For models with supply 115VAC / 230VAC

The mast should be electro-conductive, and be connected with the ground potential (base/ground strip). Apart from that the sensor is to be connected to the ground potential by means of a cable ( $>6\text{mm}^2$ ).

### 5.2.1.1 Example

Example of a mounting means 4.3187.61.xxx equipment rack (optional):



**Figure 7: Example for an appropriate mast foundation**

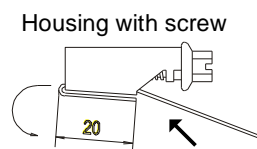
## 5.2.2 Mounting Angle

First, the mounting angle (with or without housing) should be fastened at the mast. Because of the shading effect of the mast the angle is to be mounted at the highest possible place. Align the angle to the south acc. to **Figure 9** ( $\pm 10^\circ$ , Northern hemisphere), and fasten it at the top of the mast. It is advisable to have a second person holding the Laser Precipitation Monitor during the mounting. In case no second person is available, it is also possible to separate the mounting angle from the Laser Precipitation Monitor (2 nuts M6 below, 2 screws above [accessible after removing the housing cover]).

Does only apply to the models with supply 115VAC / 230VAC:

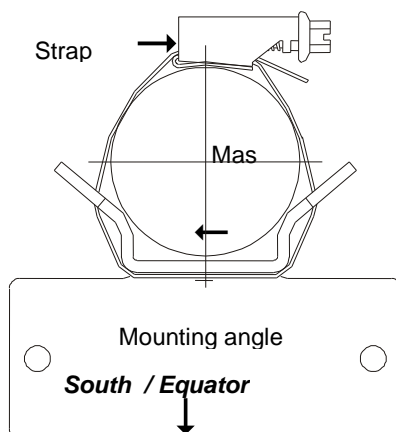
In case an electro-conductive mast is used, the straps should be fastened directly, i.e. without insulator. If the mast is not electro-conductive, a potential equalisation should be established between ambience (for ex. fundament) and sensor by means of a cable ( $>6\text{mm}^2$ ).

1. Cut 2 pieces of the necessary length off the strap (1 meter) acc. to the table below.  
**Note:** The cut surfaces could after cutting have sharp edges. Risk of injury.
2. Insert the strap into the housing from the screw head side, and bend a projection of 20mm over the ridge (**Figure 8**).
3. Put the free end of the prepared clamp around the mast and the mounting angle, and screw it on (**Figure 9**).
4. 2 Straps are provided for each mounting angle.



**Figure 8: Strap housing**

Mast Ø	Mast Ø	Length strap
48mm	1.9inch	250mm (10inch)
60mm	2.4inch	310mm (12.2inch)
80mm	3.2inch	370mm (14.6inch)
90mm	3.5inch	400mm (15.8inch)
102mm	4inch	440mm (17.3inch)



**Figure 9: Strap, Mast, Mounting angle**



### 5.2.3 Mounting of the Housing Cover

Remove, first, the 4 screws in the edges. Afterwards, turn down the cover carefully.

When the housing is open, please take care that no humidity (precipitation) can lay down on the electronics.

### 5.3 Electrical Installation



**Attention:**

*The instrument must be mounted and wired only by a qualified expert, who knows and observes the generalities of technics, and applicable regulations and norms.*



**Attention:**

*Do not look into the invisible laser beam!  
In case the laser caution labels on the housing are not legible any more the sensor must not be operated!*



**Attention:**

*Head and carrier heatings could be hazardous hot! Burn Hazard! (applies only for 5.4110.x1.xxx)*

After the housing cover (**chapter 5.2.3**) has been opened, electrical connection can be carried out according to wiring diagram (**chapter 9**).

### 5.3.1 Electrical installation with cable glands

In order to carry out an EMC-compatible installation the cable screen/shielding (except the supply cable, which, in general, is not shielded) is to be connected to the contact spring of the screwed cable gland (**Figure 10**).

#### 1. With the Standard Contacting (see **Figure 10.1**):

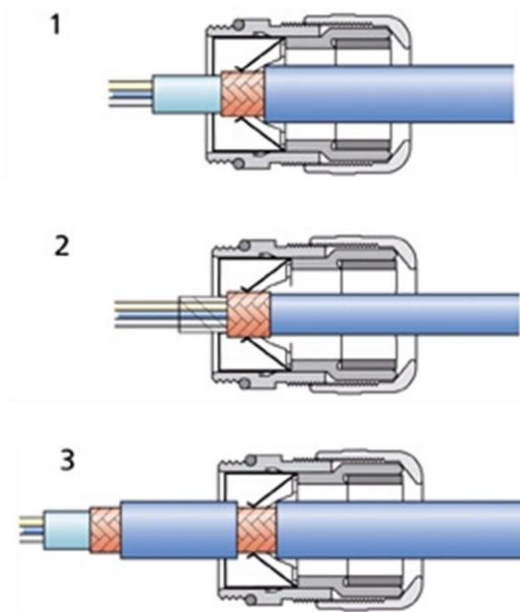
- Strip back the outer sheath and screen (shielding).
- Make a round cut in the outer sheath approx. 15mm along but do not remove the sheath.
- Guide the cable through the cable gland.
- Pull off the outer sheath.
- Pull back the cable until the connection is made between the cable screen and contact spring.
- Turn shut... and it is ready for use!

#### 2. With thin Wires without an Inner Sheath (see **Figure 10.2**):

- Strip back the outer sheath.
- Pull back the screen braid approx. 15-20mm over the outer sheath.
- Insert the cables into the cable gland until the contact is made between the cable screen and contact spring.
- Turn shut ....and it is ready for use!

#### 3. When Routing the Cable Screen to another Connection (see **Figure 10.3**):

- Expose the screen braid approx. 10mm.
- Guide the cable through the cable gland until the connection is made between the cable screen and contact spring.
- Turn shut...and it is ready for use!



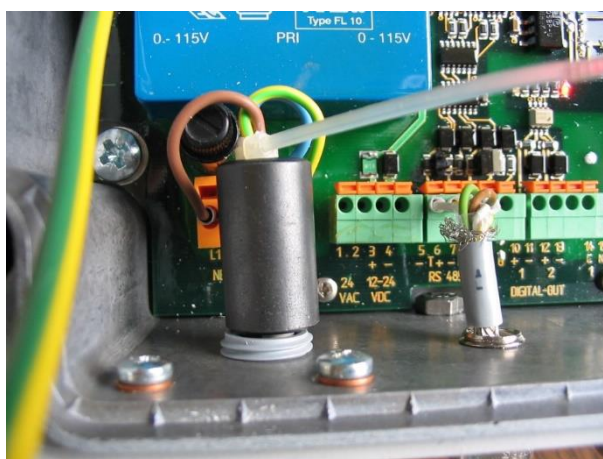
**Figure 10: Screen cable connection to the cable gland**

The cables are guided through the respective cable gland to the sensor connecting terminals (**Figure 6**). They are connected by means of the respective tension clamp technique. Wiring diagram see **chapter 9**.

For the orange-coloured connecting terminals put a commercially available screw-driver with a blade width of up to 2mm resp. 0,1inch into the upper rectangular opening. Insert the respective cable into the lower round opening. After the screw driver has been removed the cable is fixed by spring tension.

With the **green- orange-coloured connecting terminals (only for PCB Rev.A)** please press down the orange-coloured lever by means of a screw-driver (cable 0,1-1,5mm<sup>2</sup> resp. 26-16 AWG).

After having been guided through the cable gland into the cover, the supply cable is to be shielded against EMC-disturbances by means of the available grey ferrite tube. For this, after connection of the cables, the ferrite tube is to be fastened directly at the cover panel by means of the binder (see **Figure 11**).



**Figure 11: Connection of power supply (here 115 or 230VAC) with ferrite tube and binder**

After all connections have been established the supply can be switched on:  
 With an operating supply the red Supply-LED (top left corner of PCB) must flash continuously **Figure 6)**. The green Sensor-OK-LED flashes with 5hz when the signal processor operates properly (after approx. 5 seconds). In case the LED's show a different behaviour please refer to **chapter 6.3.1** how to determine the possible error.

---

**NOTE:**

*All supply voltages must be potential-free (exception 115VAC and 230VAC). For example, with the 24VAC-supply there must be used a separate winding of the transformer only for this sensor. In addition, we recommend to provide for a separator in the installation (for example switch or fuse), and to mark this.*

---

When the instrument operates properly the cover should be fastened (see the following chapter), and the instrument should possibly be configured by means of a commercially available terminal program (**chapter 7**).

### 5.3.1.1 Electrical Installation via Connector

Instruments equipped with connectors, have pre-assembled flange plugs, which are integrated at the housing. The flange plug for the supply with pre-assembled cable has a ferrite sleeve which is already affixed at the cable (between plug and pc-board) against the wall by cable connector.

### 5.3.2 Closing the Instrument Cover

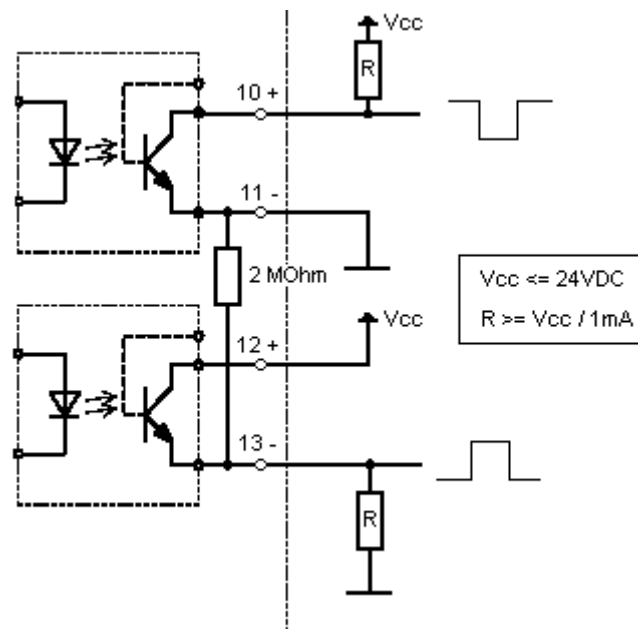
Lift up the housing cover carefully, and take care that no cable is jammed between cover and housing. Moreover, the gasket must fit in the groove provided for. Tight the screws strongly and crosswise to ensure the proper sealing of the housing (torsional moment of at least 2,0Nm).

### 5.3.3 Optocoupler output

In **Figure 12** you see 2 ways of connecting external instruments (“pull-up”-circuit to clamp 10/11 (output 1) and “pull-down” circuit to clamp 12/13 (output 2)). The load resistor R should preferably be low (for example  $V_{cc}=5V$ ,  $R = 5V/1mA = 5k\Omega$ ). The connecting cables should be shielded, and the receiving input should be equipped with respective EMC-filters (not showed in **Figure 12**).

For the optical check of the outputs near the clamp resides two red LED’s, which light when the respective output is on.

With the command “D1” (respective “D2”, see **chapter 7.2.8**) you can configure the outputs.



**Figure 12: Examples for the connection to the opto-couplers**

## 6 Maintenance

---



**Attention:**

***Do not look into the invisible laser beam!***



**Attention:**

***Head and carrier heatings could be hazardous hot! Burn Hazard! (applies only for 5.4110.x1.xxx)***

### 6.1 Cleaning

Approximately every 3 months the glass panes of the sensor should preventively be cleaned. Depending on the location this period might be different. Please use a commercially available cloth which is used, for example, for cleaning spectacles.

If the Laser Precipitation Monitor outputs the error message 1 “static signal out of allowed range” (see diagnostic command “DX”, **chapter 7.2.5**) or frequently the output “Precipitation (not identified)” appears, and the error remains still after the cleaning, the instrument has to be sent-in to the manufacturer for inspection.

Insect nests, spider webs, pollen flight sediments or the like shall be removed regularly. Depending on the environment and season the periods for control might be different.

### 6.2 Calibration

A calibration is necessary with the replacement of certain components. It is carried out in the factory.

### 6.3 Checking the sensor

The simulation of precipitation can be generated as follows:

Move an object (or a finger) at least 15 times per minute as quick as possible through the invisible laser beam between the sensor heads. Then, with the next minute-change, the sensor outputs the precipitation type “Precipitation (not identified)” as well as a respective precipitation quantity. This simulation can be started five minutes after the instrument has been switched on.

### 6.3.1 Checking the LED's

In case no terminal program with PC is available the checking of the Laser Precipitation Monitor is limited to the control of the following LEDs. You will see them after removing the cover

(see **Figure 6**):

- SUPPLY (red, on the left above) must shine when AC supply is switches on.
- SENSOR-OK (green, middle above) flashes with 5Hz if DSP operates properly.
- FAILURE (red, middle above) flashes with 5Hz if an error and with 0.5Hz if an warning has been detected.

In case the SUPPLY-LED does not flash the supply should be checked. The models with „115VAC“ and „230VAC“ operating voltage a safety fuse situated directly above the orange connecting terminal „L1“and “N” (left, below). All models have an additional electronic fuse for the supply. In case this fuse has activate the external supply must be switched off for approx. 30 seconds so that the fuse can cool down.

If the FAILURE LED flashes you should control the glass panes, and maybe clean them. After the supply has been switched on the FAILURE LED lights up for 5 seconds.

Additional for variant “Extended Heating” (5.4110.x1.x00):

- LED “SUPPLY HEATING” (green, Heating-Control-PCB) must be on when the supply is OK.
- LED's (red, Heating-Control-PCB) for checking the three heating circuits must be on, when the respective circuit is switched on (Command “HG”, “HK” and “HB”).

The primary fuse of the heating supply (“Fuse Heating”) is located beside the “Fuse Sensor” (see **Figure 6**). The secondary fuse is situated on Heating-Control-PCB.

### 6.3.2 Checking by means of a terminal program

First, the Laser Precipitation Monitor must be connected to the respective COM interface of the used PC by an interface converter (RS485/RS232).

Start a terminal program, and configure the interface according to the sensor interface (baud rate, parity, etc.). Now the Laser Precipitation Monitor is ready for request. See also **chapter 7**. The factory setting of the serial interface: 9600 Bd, 8, N, 1, full-duplex, ID:00

Check the control voltage ( $4010 \pm 5$ ) through the diagnostic command („<id>dd“). In case the value is outside the value range, and cleaning the glass panes shows no effect the Laser Precipitation Monitor is to be sent-in for inspection. Moreover, the internal temperature (without sun radiation max.  $\pm 4^\circ$  difference compared with the ambient temperature, does not apply to model 5.4110.x1.x00 when heating is on [extended heating]) as well as the laser driver temperature (approx.  $10^\circ$  higher than the internal temperature) can be checked. Please note that for variant “Extended Heating” (9.4110.x1.x00) the difference between internal and ambient temperature is higher, when the heating is on.

Switch-on the telegram „Particle Event“ („<id>tm00003“). Drop a preferably spherical object with a diameter smaller than 8mm through the measuring area.

Example 1:       with 4mm steel ball (dropped from the middle of the laser head screen):

Reply from the sensor:

9476;588;497800898;4.04;00.90;3.71;00.89;+19

Diameter:       4.04mm

Speed:           0.9m/s

Example 2:       with finger moving through the measuring area:

Reply from the sensor:

16370;2158;499106556;7.71;00.39;6.19;00.34;+19

Re-activate the starting conditions after test end, for example, the data format set before.



## 7 Serial communication

---

An RS485 interface (4-wire or 2-wire mode, changed by command "BD", see **chapter 7.2.1**) with several baudrates (command "BR") is available at the Laser Precipitation Monitor for the serial communication.

The communication can be carried out, for example, by means of a standard terminal program and a PC. With a Windows-based operating system delivery, for example, contains Hyper Terminal. If necessary, it must be installed later.

4-wire/full-duplex mode (factory setting) :

The receive lines in the sensor are terminated with a resistance of  $560\Omega$  when a so-called Jumper is directly above the contacts "R-" and "R+" on the 2-pole connecting-pin-line.; see wiring diagram (chapter 9).

2-wire / half-duplex mode:

The transceiver lines in the sensor are terminated with a resistance of  $560\Omega$  when a so-called Jumper is directly above the contacts "T-" and "T+" on the 2-pole connecting-pin-line.; see wiring diagram (chapter 9).

---

**NOTE:**

*Half-duplex mode.*

*In the sensor there are no so-called bias-resistors (pull-up and pull-down) to get the voltage level ( $>0.2V$ ) for the RS485-norm, when the network is idle.*

*This resistors must be provided by the remote station (e.g. PC).*

---

## 7.1 General telegram format

A fixed telegram format is used for the serial communication (<CR> means Carriage Return (enter key)):

- Data request:  
„<id>BB<CR>“                      <CR> means carriage return (enter key)
- Change of parameters:  
„<id>BBppppp<CR>“                <CR> means carriage return (enter key)

The single letters have the following meaning:

id:                      Device address number (00...99, initial value 00)  
 BB:                    two-digit command code (case-insensitive)  
 ppppp:                A new parameter is set by entering a 5-digit value. The parameter is right-aligned, and must be completed with zeros from the left.

Example for a Change of Parameters:

The baud rate is to be set to 4 (corresponds to 4800 baud 8, N, 1) with the device address "00". The respective command is:

„00BR00004<CR>“

Example data request:

The set record for the baud rate is returned with the command

„00BR<CR>“

Reply:

„!00BR00004“

The reply from the sensor is marked by an exclamation mark at the beginning of the return.

---

**NOTE:**

*The receiving buffer of sensor can be cleared by sending a carriage return <CR>. In case the sensor has invalid or unintentional characters in the receiving buffer, it is advisable to send a <CR> at the beginning of the command, e.g. "<CR>00BR<CR>"*

---

Error messages from the sensor (ID: "00"):	
"00CI00002"	Unknown command
"00CI00004"	Parameter out of allowed range
"00CI00008"	Incorrect command mode (see command "KY", <b>chapter 7.2.1</b> )

## 7.2 List of Commands

<id>: Device address (00...99, initial value "00", see command "ID", **chapter 7.2.1**)

### Command ??

<id>?? Help  
description: Output list of commands  
Example reply:  
KY: Set/Get command mode (0:user, 1:config)  
BR: Set/Get Baudrate (5: 9600Bd 8N1)  
BD: Set/Get Duplex (0:Full, 1:Half)  
ID: Set/Get Device Address  
RS: Reset Sensor (1)  
SV: Get Software Version  
SB: Get Bootloader Version  
SN: Get Serial Number  
TM: Set/Get Telegram ( 3: Particle Event 4:SYNOP,METAR,Disdrometer)  
( 5: 4 + aux. Measuring Channels)  
( 6: SYNOP,METAR 7: 6+aux. Meas. Chan.)  
( 8: SYNOP,METAR short 9: 8+aux. Meas. Chan.)  
(10: 7 + Averaging (Time: TO parameter))  
TR: Request Telegram (4...10)  
TO: Time interval telegram 10 (1...10min)  
ZH: Set Hour (0..23)  
ZM: Set Minute (0..59)  
ZS: Set Second (0..59)  
ZD: Set Day (1..31)  
ZN: Set Month (1..12)  
ZY: Set Year (0..99)  
ZT: Get Sensor Date + Time  
ZB: Get Operation hours [2H]  
AZ: Set/Get Time calibration [1.44s/d] (0...123, >100 neg.)  
DD: Get Diagnostic Data  
DX: Get Self Diagnostic  
FM: Get Error Count  
RF: Reset Error Count (1)  
AT: Set/Get Temp. internal calibration [degree C] (0...106, >100 neg.)  
AV: Set/Get Amount Adjustment (80...120%)  
AU: Get Measuring Area  
FT: Test Flash (1)  
RA: Reset Amount (1)

PT: Get Time Duration Amount

D1/D2: Set/Get Digital Output 1/2

DA: Auxiliary Measuring Channel (Option)

HK/HB/HG: switch on heating for 1 minute (0:Off 1:On) head(K), holder(B), housing(G)

YD: 3 or 4 char for distribution data

## 7.2.1 Communication commands

### Command KY

<id>KY</id>  
Description: Setting the command mode (0: normal, 1: configuration)  
Two modes are available:

- Normal mode (no setting of parameter possible)
- Configuration mode (all commands allowed)

Value range: 0,1  
Initial value: 0 (set to zero by power up, no storing)

### Command BR

<id>BR</id>  
description: Setting the baud rate.  
The communication can be carried out with different baud rates and parities. The setting range is from 1200baud to 115.2Kbaud, 7 or 8 data bits, no(N), even(E), odd(O) parity, 1 or 2 stop bits. The following parameter are defined for BR:

Parameter description:

	1200	2400	4800	9600	19200	38400	57600	115.2K
<b>8N1</b>	2	3	4	5 *	6	7	8	9
<b>7E1</b>	10	11	12	13	14	15	16	17
<b>8E1</b>	18	19	20	21	22	23	24	25
<b>8O1</b>	26	27	28	29	30	31	32	33
<b>7N1</b>	34	35	36	37	38	39	40	41
<b>7O1</b>	42	43	44	45	46	47	48	49
<b>8N2</b>	50	51	52	53	54	55	56	57
<b>7E2</b>	58	59	60	61	62	63	64	65
<b>8E2</b>	66	67	68	69	70	71	72	73
<b>8O2</b>	74	75	76	77	78	79	80	81
<b>7N2</b>	82	83	84	85	86	87	88	89
<b>7O2</b>	90	91	92	93	94	95	96	97

**Table 2: List of baud rates with telegram BR**

\* Setting by the factory

Value range: 2..97  
Initial value: 00005

**Command BD**

<id>BD<para5> Setting duplex-mode (full- ["0"] / half-duplex ["1"]).  
Description: Setting for the using of a so-called 4-wire- (full-duplex, common called RS422) or 2-wire-communication (half-duplex, RS485).

Value range: 0,1  
Initial value: 0 (full-duplex)

Note:

- We recommend concerning the simplicity the use of full-duplex communication.
- If you change the duplex-mode please bear in mind that mostly a change of wiring and setting of the interface (-converter) is necessary.

- The latency period is 20ms. This means that after sending of a command within 20ms the switching of the direction must happen. And after receiving a answer from the sensor at the earliest time of 20ms a command can be send.
- Half-duplex operation: An idle-state of at least 0,2V is to be caused by respective resistances of the opposite site (normally available in the interface converter).

### Command ID

<id>ID</para5>      Setting of the device address for the communication.  
Description:      After setting of the address in the future this new <id> must be used for each new command.  
Value range:      0...99  
Initial value:      0

## 7.2.2 Reset / Version commands

### Command RS

<id>RS00001      Reset of the sensor.  
Description:      Re-start of the sensor. Note: command mode has to be set to configuration before (see "KY", **chapter 7.2.1**)  
Value range:      1  
Initial value:      0

### Command SV

<id>SV      Request of the software version.  
Description:      Output of the software version (example reply: „!00SV00203“ -> V2.03)  
Value range:      -  
Initial value:      -

### Command SB

<id>SB Request of the bootloader version.  
Description: Output of the bootloader version (example reply: „!00SB00110“ -> V1.10), if supported by the bootloader.  
Value range: -  
Initial value: -

### Command SN

<id>SB Request of the serial number.  
Description: Output of the serial number.  
Note: If the serial number is 0 the system parameters are adjusted wrongly.  
In this case, please have the instrument checked by the manufacturer.  
Value range: 1...9999  
Initial value: Set in the factory

## 7.2.3 Data telegrams commands

### Command TM

<id>TM<para5> Telegram selection measuring data (automatically send without request, automatic mode).  
Description: Setting the telegram, telegram 3 to 10 (see **chapter 7.3**).  
Telegram 1 and 2 are for internal test purpose.  
Telegram 0 means no automatic sending, and is recommended when using the polling command “TR”.  
Value range: 0...10  
Initial value: 4 (5.4110.0x.xxx) resp. 5 (5.4110.1x.xxx)

### Command TR

<id>TR<para5> Command for requesting a telegram (polling mode).  
Description: Request of telegrams 4 to 10 (see **chapter 7.3**). If you want to get the data by polling, you should switch off the automatic mode with the command “<id>TM00000”. Otherwise the “TM” parameter will be set only internally to 0. If you wish to use the automatic mode again send the command “TM” or power up the sensor.  
When a telegram is not available, the sensor answers “!<id>TR00001”. Depending of the baudrate and the internal sensor clock a telegram is available

Availability:

Telegrams 6 to 10:

- 1200Bd: 0...57s
- >= 2400Bd: 0...58s

Telegrams 4 and 5:

- 1200Bd: 0...38s
- 2400Bd: 0...49s
- 9600Bd/19.2kBd: 0...57s
- >= 38.4kBd: 0...58s

Value range: 4...10  
Initial value: -

### Command TO

**<id>TO</id>** Time for telegram 10 in minutes.  
**Description:** Setting of the time for mean and extreme calculation as well as the time interval for automatic sending of telegram 10. If using the automatic sending (command **<id>TM00010</id>**) please consider the following:  
 It makes only sense to use 1 to 6 or 10 minutes, because otherwise the time interval is uneven. The automatic output take place at fixed times depending on the sensor clock (e.g. **<id>TO00010</id>**: output at hh:00, hh:10, hh:20, hh:30, hh:40, hh:50).

Value range: 1...10  
Initial value: 10

### Command YD

**<id>YD</id>** Number of digits for the output of the precipitation spectrum  
**Beschreibung:** Setting the number of digits in the precipitation spectrum for telegrams 4 and 5. The initial value with 3 digits is generally sufficient for natural precipitation.

Value range: 3...4  
Initial value: 3



## 7.2.4 Time / Date commands

---

**NOTE:**

*For the operation the setting of date and time is not necessary. The date and time are reset when powered up, unless the UPS-input is provided. With the command "AZ" (**chapter 7.2.6**) the inaccuracy of the sensor clock can be corrected.*

---

### Command ZH

`<id>ZH</para5>` Setting the sensor clock (hour)  
Description: Setting the hour. The sensor time can be requested by the command „ZT“.  
Value range: 0...23  
Initial value: 0

### Command ZM

`<id>ZM</para5>` Setting the sensor clock (minute)  
Description: Setting the minute. The sensor time can be requested by the command „ZT“.  
Value range: 0...59  
Initial value: 0

### Command ZS

`<id>ZS</para5>` Setting the sensor clock (second)  
Description: Setting the second. The sensor time can be requested by the command „ZT“.  
Value range: 0...59  
Initial value: 0

### Command ZD

`<id>ZD</para5>` Setting the sensor date (day)  
Description: Setting the day. The sensor date can be requested by the command „ZT“.  
Value range: 1...31  
Initial value: 1

### Command ZN

`<id>ZN</para5>` Setting the sensor date (month)  
Description: Setting the month. The sensor date can be requested by the command „ZT“.  
Value range: 1...12  
Initial value: 1

### Command ZY

<id>ZY<para5>      Setting the sensor date (year)  
Description:      Setting the year. The sensor date can be requested by the command  
                         „ZY“  
Value range:      0...99  
Initial value:      5

### Command ZT

<id>ZT              Request of sensor date and clock  
Description:      Output of the sensor date and time.  
                         Format: “TT.MM.JJ;HH:mm:SS” (example: “25.01.05;15:58:10”)  
                         On resetting or activating the instrument the time is initialized with  
                         00:00:00.  
Value range:      --  
Initial value:      (“01.01.05;00:00:00” set when power up without using UPS-input)

## 7.2.5 Diagnostics commands

### Command DA

<id>DA                    Output of the optional measuring channels (5.4110.1x.xxx)  
 Description:            Temperature/humidity: 30s-mean value (measurement every second)  
                             Wind speed:                    1s-mean value  
                             Wind direction:            instantaneous value (measurement every second)

column	Description
1-5	Temperature [°C]
7-11	Relative air humidity [%r.h.]
13-16	Wind speed [m/s]
18-20	Wind direction [°]

If a sensor is unavailable or the measuring range exceeded the value of the relevant column is "9".

Example reply:

„-01.6;040.3;02.6;090“  
 (-1.6 °C temperature; 40.3% relative humidity,  
 2.6 m/s wind speed, 90 ° wind direction)

Value range:            -  
 Initial value:           -

## Command DD

<id>DD

Description:

Request of the diagnostic data

Number	Column	Description
1	1-3	Interior temperature [°C]
2	5-6	Temperature of laser driver 0-80°C
3	8-11	Mean value laser current [1/100mA]
4	13-16	Control voltage [mV] reference value: 4010±5
5	18-21	Optical control output [mV] / control variable (500 ... 6500)
6	23-25	Voltage sensor supply [1/10V] **
7	27-29	Current pane heating laser head [mA] **
8	31-33	Current pane heating receiver head [mA] **
9	35-39	Ambient temperature [°C] *
10	41-43	Voltage Heating supply [1/10V] *
11	45-48	Current heating housing [mA] *
12	50-53	Current heating heads [mA] *
13	55-58	Current heating carriers [mA] *

\* Variant 5.4110.x0.xxx: value always maximum

\*\* Hardware Rev.A no measurement possible

Example reply (5.4110.x1.xxx, Variant „Extended Heating“):

„+01;08;1627;4011;2356;235;084;070;-06.4;233;0034;0845;2230“

1. +1°C Interior temperature.
2. 8°C Temperature of laser driver.
3. 16.27mA Mean value laser current.
4. 4011mV Control voltage.
5. 2356mV Optical control output.
6. 23.5V Voltage sensor supply.
7. 84mA Current pane heating laser head.
8. 70mA Current pane heating receiver head.
9. -6.4°C Ambient temperature.
10. 23.3V Voltage Heating supply.
11. 34mA Current heating housing.
12. 845mA Current heating heads.
13. 2230mA Current heating carriers.

Value range: -

Initial value: -

## Command DX

<id>DX Requesting source of error, warning resp. condition of the lasers.  
 Description: When an error or a warning has been detected the reason can be requested by means of this command.  
 „1“: error / warning  
 „0“: no error / warning

No.	Description	Error (E) Warning (W)
0	1: laser on 0: laser off	Status
1	Static signal out of allowed range	E
2	Laser temperature (analogue) too high	E
3	Laser temperature (digital) too high	E
4	Laser current (analogue) too high	E
5	Laser current (digital) too high	E
6	Sensor supply out of allowed range **	E
7	Current pane heating laser head **	W
8	Current pane heating receiver head **	W
9	Temperature sensor	W
10	Heating supply out of allowed range *	W
11	Current heating housing *	W
12	Current heating heads *	W
13	Current heating carriers *	W
14	Control output laser power high	W
15	Not used at the moment (0)	

\* Only applicable for variant 5.4110.x1.xxx, else value always “0”.

\*\* Hardware Rev.A: always “0”.

Example reply in case of no error :

„0;0;0;0;0;0;0;0;0;0;0;0;0;0;0;0“ (laser on, no error and warning detected)

Value range: -

Initial value: -

## Command FM

<id>FM Output of error counter  
 Description: Output of the error counter 1 to 15 (number corresponds to “DX” command)

Note:

- Reset of error: see command “RF”.
- The error counter is incremented when the error is no more present.

Example reply:

„0005;0000;0000;0000;0000;0000;0002;0000;0000;0000;0000;0000;0000;0000“

5 times error 1: Static signal out of allowed range

2 times error 7: Current pane heating laser head

Value range: 0...9999

Initial value: 0


### Command RF

<id>RF00001      Reset of error counters  
 Description:      All error counters are set to 0.  
 Value range:      1  
 Initial value:      -

### Command HK,HB,HG

<id>HK<para5>      Switch on/off head heatings  
 <id>HB<para5>      Switch on/off carrier heatings  
 <id>HG<para5>      Switch on/off housing heating

Description:      With this commands the heating circuits can be switched on (parameter 1) for testing purpose (only 5.4110.x1.xxx). After one minute the respective circuit is switched off automatically. With the parameter 0 the circuit can be switched off immediately. Duty cycle should be at most 50% (at 20°C ambient temperature) or else overheating can occur.



**Attention:**  
**Head and carrier heatings could be hazardous hot! Burn Hazard! (applies only for 5.4110.x1.xxx)**

Value range: 0,1

Initial value: -

### Command ZB

<id>ZB      Request of operating hours (resolution 2 hours)  
 Description:      Output of the operating hours (resolution 2 hours) of the sensor.  
 Value range:      0...99999 (-> 22.8 years)  
 Initial value:      0

## 7.2.6 Calibration commands

### Command AT

<id>AT Alignment of the interior temperature

Description: The interior temperature is necessary for the determination of the precipitation type (except for variant 5.4110.x1.xxx, see note below). With an outside temperature range from -4 to 10 °C the interior temperature should deviate by max.  $\pm 2$  °C (without solar radiation). With solar radiation the difference can be up to  $6\pm 2$ °C. Please note: The alignment time with great temperature changes is (due to the compact housing) approx. 20 minutes. Parameter > 100 are negative. Example: AT00103 -> -3° temperature correction

---

**NOTE:**

*The variant 5.4110.x1.xxx ("Extended Heating") uses a Pt100-sensor at the bottom of the housing for the measurement of the ambient temperature. The interior temperature differs from the ambient about +5°C, if the heating is off (ambient temperature > 3°C)*

---

Value range: 0...106  
Initial value: Set in the factory.

### Command AU

<id>AU Request of the measuring area.

Description: The measuring area is device-specific. Calculation of the area:  
$$A_{\text{Meas}} = 4600\text{mm}^2 * 1000 / AU_{\text{Parameter}}$$

Value range: 850...1200  
Initial value: Set in the factory.

### Command AV

<id>AV<para5> Adjusting measurement of quantity resp. intensity.  
Description: Correcting precipitation quantity and intensity. Scaling in %.  
Value range: 80 ... 120  
Initial value: 100

### Command AZ

<id>AZ Alignment of sensor clock  
Description: Correction of clock accuracy. For standard requirements (accuracy approx. 10-20 minutes/year) no correction is necessary. In case of higher requirements the accuracy can be increased by this command. As the clock accuracy depends on aging and temperature we recommend a correction after one year of operation.  
Resolution of correction: 1 millisecond/minute = 1,44 seconds/day  
Parameter > 100 are negative  
Example: AT00105 -> -5ms/min (-7.2s/day) correction of clock  
Value range: 0...123  
Initial value: 105

## 7.2.7 Quantity measurement commands

### Command RA

<id>RA00001 Reset of precipitation quantity and duration of quantity measurement.  
Description: By this command the precipitation quantity, output in the telegram (parameter no. 17 in telegram 4 to 10, see **chapter 7.3.1**), is set to 0.  
Value range: 1  
Initial value: -

### Command PT

<id>PT Output of duration of quantity measurement.  
Description: The duration of the quantity measurement is output in the format „H:M“ (H=hour, M=minute, max. 9999 hours). The duration is set to 0 by the command „RA“.  
Note: No fixed number of signs.  
Value range: -  
Initial value: -



## 7.2.8 Digital output commands

Both optocoupler-outputs (see **chapter 5.3.3**) can be configured independently of each other with the commands “D1” or “D2”. Following information can be given out:

- Precipitation amount (output of impulses, resolution 0.1, 0.01 or 0.005mm).
- State information (output open/closed or frequencies).
- Precipitation type (frequencies).

A changing of the frequency and the state or the possible output of precipitation amount is done always when the internal clock of the sensor changes a minute. When using the output of the amount it should be respected that because of the preset resolution the possible residual amount can be given out in the future. We recommend therefore to use a preferably highest possible resolution (e.g. 0.005mm), if the amount of single precipitation events is of interest.

Additional hints:

- The parameters 0 and 16 are for testing of the wiring and the external record electronic.
- Solid precipitation: snow grains, snow, soft hail/ice grains, hail.
- Liquid precipitation: all other precipitation types (drizzle and/or rain, sleet [=rain and snow] and unknown precipitation).

**Table parameter D1/D2 command:**

Parameter	Description	Inactive (open)	Active (closed)	Frequency [Hz]
0	Always inactive	Always		
1	Sensor error active	No sensor error	Sensor error	
2	Sensor error inactive	Sensor error	No sensor error	
3	Sensor In operation			50
4	Sensor in Operation + error			No error: 50 Sensor error: 1
5	Sensor in operation + precipitation + error			No error: 50 Precipitation: 10 Sensor error: 1
6	Sensor in operation + liquid precipitation + solid precipitation. + error			No error: 50 Liquid precipitat.: 25 Solid precip.: 10 Sensor error: 1
7	Precipitation active	No precipitation	Precipitation	
8	Precipitation inactive	Precipitation	No precipitation	

9	Liquid precipitation active	No liquid precipitation	Liquid precipitation	
10	Liquid precipitation inactive	Liquid precipitation	No liquid precipitation	
11	Solid precipitation active	No solid precipitation	Solid precipitation	
12	Solid precipitation inactive	Solid precipitation	No solid precipitation	
13	Precipitation amount <b>Gross</b> * 0.1mm			10 (1impulse: 0.1mm)
14	Precipitation amount <b>Gross</b> * 0.01mm			50 (1impulse: 0.01mm)
15	Precipitation amount <b>Gross</b> * 0.005 mm			100 (1impulse: 0.005mm)
16	Always active		always	
17	Precipitation type SYNOP(Tab.4680, see <b>Table 7</b> ) Frequency output 1			See the following <b>Table 4</b>
18	Precipitation amount <b>Gross</b> * 0.1mm			1 (1Impulse: 0.1mm)
19	Precipitation type SYNOP(Tab.4680, see <b>Table 7</b> ) Frequency output 2			See the following <b>Table 5</b>
20	Precipitation amount <b>Net</b> * 0.1mm			1 (1Impulse: 0.1mm)
21	Precipitation amount <b>Net</b> * 0.1mm			10 (1impulse: 0.1mm)
22	Precipitation amount <b>Net</b> * 0.01mm			50 (1impulse: 0.01mm)
23	Precipitation amount <b>Net</b> * 0.005 mm			100 (1impulse: 0.005mm)

**Table 3: Parameter D1/D2 command**

\*: With the setting of the precipitation amount to **Gross** (parameter 13, 14, 15 or 18) every amount is given out.

Precipitation amount **Net** (parameter 20 to 23) is the amount without the volume of the precipitation type "Unknown precipitation" (normally error code for insects or similar)

No.	Frequency [Hz]	SYNOP (Tab.4680)	Description
0	1	-1	Sensor error
1	5	0	No precipitation
2	10	51	Light drizzle
3	20	52,53	Moderate / heavy drizzle
4	25	41,42	Unknown precipitation
5	33,33	57,61	Light drizzle with rain, Light rain
6	41,66	58,62,63	Moderate / heavy drizzle with rain, moderate / heavy rain
7	50	67	Light rain and / or drizzle with snow
8	62,5	68	Moderate / heavy rain and / or drizzle with snow
9	83,33	77	Snow grains
10	100	71	Light snow fall
11	125	72,73	Moderate / heavy snow fall
12	166,67	74,75,76	Soft hail / ice grains
13	250	89	Hail

**Table 4: Parameter 17 (command D1 and D2)**

Nr	Frequency [Hz]	SYNOP (Tab.4680)	Description
0	1	-1	Sensor error
1	2,5	41	Light / moderate unknown precipitation
2	5	42	Heavy unknown precipitation
3	10	0	No precipitation
4	15,15	51	Light drizzle
5	20	52	Moderate drizzle
6	22,73	53	Heavy drizzle
7	25	57	Light drizzle with rain
8	29,41	58	Moderate / heavy drizzle with rain
9	33,33	61	Light rain
10	38,46	62	Moderate rain
11	41,66	63	Heavy rain
12	45,45	67	Light rain and / or drizzle with snow
13	50	68	Moderate / heavy rain and / or drizzle with snow
14	55,56	77	Snow grains
15	62,5	71	Light snow fall
16	71,43	72	Moderate snow fall
17	83,33	73	Heavy snow fall
18	100	74	Light soft hail / ice grains
19	125	75	Moderate soft hail / ice grains
20	166,67	76	Heavy soft hail / ice grains
21	250	89	Hail

**Table 5: Parameter 19 (command D1 and D2)**

Note:

- Frequency output changes every minute.
- The reported precipitation type „Unknown precipitation“ is a error code. See for this the notes in **Table 7**.

## Command D1/D2

<id>D1</id> Setting the function of the digital output 1 (optocoupler)  
<id>D2</id> Setting the function of the digital output 2 (optocoupler).  
Description: see above  
Value range: 0...23  
Initial value: D1=13 D2=19

## 7.3 Data Telegrams

### 7.3.1 Telegram 4/5: Synop, Metar, Disdrometer, optional measuring channel

This telegram is transmitted every minute by the instrument (without request of receiver), when the parameter "TM" ([chapter 7.2.3](#)) is 4 or 5 (automatic mode). The request of the telegram (polling mode) is possible with the command "TR".

List separator: ; (Semicolon)

Decimal separator: . (Point)

Start of telegram: STX(02)

End of telegram: CR(13), LF(10), ETX(03) (carriage return, line feed, ETX)

Fixed length and leading zeros.

Error code / data not available: output of the greatest presentable number (e.g. "99.9")

---

**NOTE:**

*The detected precipitation type is given out according to METAR-respectively SYNOP-codes (see **Table 7**, **Table 8**).*

---



### Telegram 5: Synop, Metar, Disdrometer, optional measuring channel („<id>tm00005“)

In addition to the output given above telegram the optional measuring channels are output at the end (see also command “DA”, **chapter 7.2.5**)

No.	Column	Len	Description	
1	1	1	STX (start identifier)	
2	2-3	2	Device address (factory setting „00“) (NN)	
3	5-8	4	Serial number (NNNN)	
4	10-13	5	Software-Version (N.NN)	
5	15-22	8	Date of the sensor (tt.mm.jj)	
6	24-31	8	Time of the sensor (on request) (hh:mm:ss)	
7	33-34	2	5M SYNOP Tab.4677 (5 minutes mean value) (NN)	
8	36-37	2	5M SYNOP Tab.4680 (5 minutes mean value) (NN)	
9	39-43	5	5M METAR Tab.4678 (5 minutes mean value) (AAAAA)	
10	45-51	7	5M Intensität [mm/h] (5 minutes mean value) (NNN.NNN)	
11	53-54	2	1M SYNOP Tab.4677 (1 minute value) (NN)	
12	56-57	2	1M SYNOP Tab.4680 (1 minute value) (NN)	
13	59-63	5	1M METAR Tab.4678 (1 minute value) (AAAAA)	
14	65-71	7	1M Intensity [mm/h] total precipitation (1 minute value) (NNN.NNN)	*
15	73-79	7	1M Intensity [mm/h] liquid precipitation (1 minute value) (NNN.NNN)	**
16	81-87	7	1M Intensity [mm/h] solid precipitation (1 minute value) (NNN.NNN)	**
17	89-95	7	Precipitation amount [mm] (Reset with command „RA“) (NNNN.NN)	
18	97-101	5	1M Visibility in precipitation [0...99999m] (1 minute value) (NNNNN)	***
19	103-106	4	1M Radar reflectivity [-9.9...99.9dBZ] (1 minute value) (NN.N)	*4
20	108-110	3	1M Measuring quality [0...100%] (1 minute value) (NNN)	*5
21	112-114	3	1M Maximum diameter hail [mm] (1 minute value) (N.N))	
22	116	1	Status Laser (OK/on:0, off:1)	*9
23	118	1	Static signal (OK:0, Error:1)	*9
24	120	1	Status Laser temperature (analogue) (OK:0, Error:1)	*9
25	122	1	Status Laser temperature (digital) (OK:0, Error:1)	*9
26	124	1	Status Laser current (analogue) (OK:0, Error:1)	*9
27	126	1	Status Laser current (digital) (OK:0, Error:1)	*9
28	128	1	Status Sensor supply (OK:0, Error:1)	*9

29	130	1	Status Current pane heating laser head (OK:0, warning:1)	*9
30	132	1	Status Current pane heating receiver head (OK:0, warning:1)	*9
31	134	1	Status Temperature sensor (OK:0, warning:1)	*9
32	136	1	Status Heating supply (OK:0, warning:1)	*9
33	138	1	Status Current heating housing (OK:0, warning:1)	*9
34	140	1	Status Current heating heads (OK:0, warning:1)	*9
35	142	1	Status Current heating carriers (OK:0, warning:1)	*9
36	144	1	Status Control output laser power (OK:0, warning:1)	*9
37	146	1	Reserve Status ( 0)	*9
38	148-150	3	Interior temperature [°C] (NNN)	*10
39	152-153	2	Temperature of laser driver 0-80°C (NN)	*10
40	155-158	4	Mean value laser current [1/100 mA] (NNNN)	*10
41	160-163	4	Control voltage [mV] (reference value: 4010±5) (NNNN)	*10
42	165-168	4	Optical control output [mV] (2300 ... 6500) (NNNN)	*10
43	170-172	3	Voltage sensor supply [1/10V] (NNN)	*10
44	174-176	3	Current pane heating laser head [mA] (NNN)	*10
45	178-180	3	Current pane heating receiver head [mA] (NNN)	*10
46	182-186	5	Ambient temperature [°C] (NNN.N)	*10
47	188-190	3	Voltage Heating supply [1/10 V] (only 5.4110.x1.xxx, otherwise "999") (NNN)	*10
48	192-195	4	Current heating housing [mA] (only 5.4110.x1.xxx, otherwise "9999") (NNNN)	*10
49	197-200	4	Current heating heads [mA] (only 5.4110.x1.xxx, otherwise "9999") (NNNN)	*10
50	202-205	4	Current heating carriers [mA] (only 5.4110.x1.xxx, otherwise "9999") (NNNN)	*10
51	207-211	5	Number of all measured particles (NNNNN)	
52	213-221	9	„00000.000“ (internal data)	
53	223-227	5	Number of particles < minimal speed (0.15m/s) (NNNNN)	
54	229-237	9	„00000.000“ (internal data)	
55	239-243	5	Number of particles > maximal speed (20m/s) (NNNNN)	
56	245-253	9	„00000.000“ (internal data)	
57	255-259	5	Number of particles < minimal diameter (0.15mm) (NNNNN)	
58	261-269	9	„00000.000“ (internal data)	
59	271-275	5	Number of particles no hydrometeor	*6



60	277-285	9	Total volume (gross) of this class	*6
61	287-291	5	Number of particles with unknown classification	*6
62	293-301	9	Total volume (gross) of this class	*6
63	303-307	5	Number of particles class 1	*6
64	309-317	9	Total volume (gross) of class 1	*6
65	319-323	5	Number of particles class 2	*6
66	325-333	9	Total volume (gross) of class 2	*6
67	335-339	5	Number of particles class 3	*6
68	341-349	9	Total volume (gross) of class 3	*6
69	351-355	5	Number of particles class 4	*6
70	357-365	9	Total volume (gross) of class 4	*6
71	367-371	5	Number of particles class 5	*6
72	373-381	9	Total volume (gross) of class 5	*6
73	383-387	5	Number of particles class 6	*6
74	389-397	9	Total volume (gross) of class 6	*6
75	399-403	5	Number of particles class 7	*6
76	405-413	9	Total volume (gross) of class 7	*6
77	415-419	5	Number of particles class 8	*6
78	421-429	9	Total volume (gross) of class 8	*6
79	431-435	5	Number of particles class 9	*6
80	437-445	9	Total volume (gross) of class 9	*6
81	447-449	3	From here 447 to 2205(YD=3) / 2645(YD=4):	*7
	Or		precipitation spectrum (distrometer data) (NNN)	
	447-450	4	Number of particles 0.125mm<diameter <0.25mm and speed <0.2m/s Number of digits 3 or 4 according to the YD command	
...	....	3 / 4	Remaining 439 classes (first all speeds, then the next diameter class, see <b>Table 6</b> below)	
520	2203 - 2205	3	Diameter and speed (NNN)	*7
	2642 - 2645	Or 4		
521	2207 - 2208  2647 - 2648	2	Checksum (not with "<id>TM00005") (AA)	*8

522	2210 - 2211  2650 – 2651	2	CRLF (not with “<id>TM00005”)	
523	2212  2652	1	ETX (End identifier) ((not with “<id>TM00005”)	

Additionally with “<id>TM00005” (YD = 3):

521	2207- 2211	5	Temperature [°C] (NNN.N)	*11
522	2213- 2217	5	Relative Air humidity [%r.h.] (NNN.N)	*11
523	2219- 2222	4	Wind speed [m/s] (NN.N)	*11
524	2224- 2226	3	Wind direction [°] (NNN)	*11
525	2228- 2229	2	Checksum (AA)	*8
526	2231- 2232	2	CRLF	
527	2233	1	ETX (End identifier)	

\* Total intensity is calculated with the adding of parameter 15 and 16.  
Exception: when „not identified precipitation“ is reported (15+16 are then 0).

\*\* Raw value.

\*\*\* Calculation visibility MOR in precipitation:

$$V_{MOR}(Prec) = 3,0 / ( \pi/2 * 1/(A* t) * \Sigma (D_i^2 / V_i) ) \quad [m]$$

A: Measuring area sensor [m<sup>2</sup>] (Note: device-specific, see command “AU”, **chapter 7.2.6**).

t: Measuring time (60s).

D<sub>i</sub>: Diameter of one particle [m].

V<sub>i</sub>: Velocity of one particle [m/s].

---

**NOTE:**

“Visibility in precipitation” is the maximum visibility. Depending on the humidity (e.g. fog) and other particle in the atmosphere the real visibility is lower. Only atmospheric hazes, caused by big hydro-meteors (for ex. drizzle, rain, snow) are acquired, but not by small hydro-meteors (fog, damp), and aerosols.

Calculated is the meteorological optical range MOR (contrast 5%, - LN(0,05)=3,0). When you want to get the “normal” visibility (contrast 2%, - LN(0,02)=3,91), you have to multiply the value by 1,304 (=3,91/3,0).

---

\*4 Calculation Radar reflectivity

$$Z = 10 \text{ LOG}_{10} ( 1/(A* t) * \Sigma ( |K_i|^2/|K_w|^2 * D_i^6 / V_i ) ) \quad [dB \text{ mm}^6/\text{m}^3]$$

A: Measuring area sensor [m<sup>2</sup>] (Note: device-specific, see command “AU”, **chapter 7.2.6**).

t: Measuring time (60s).

|K<sub>i</sub>|<sup>2</sup>: Dielectric factor of one particle (Water: 0,93 , Snow: 0,208).

|K<sub>w</sub>|<sup>2</sup>: Dielectric factor of Water (0,93).

D<sub>i</sub>: Diameter of one particle [mm].

V<sub>i</sub>: Velocity of one particle [m/s].

\*5 Measuring quality:

This value indicates the significance of the precipitation classification (parameter 11,12 and 13). The sensor analyse for this value the quantity of the particles and the measured ambient temperature. It should be considered that other factors (e.g. wind speed, dense fog) can decrease the measuring quality provided by the instrument.

\*6 Internal data (raw values).

\*7 The particle spectrum are raw data. Obvious illogical measurements (e.g. particle no hydrometeor, snow-particle when temperature is greater than 8°C) should if necessary removed.

\*8 Calculation checksum:

The two's complement of the sum of all characters (alpha-numeric and control character like STX / ETX / CR / LF), but not the checksum, is calculated. Given out is from the least significant byte (LSB) the high- and low-nibble (half-byte) in two characters in hexadecimal ASCII-code.

Example:	Sum decimal:	64800
	Sum hexadecimal:	0FD20
	2's complement(Hex):	F02E0
	LSB Byte(Hex):	E0
	Output(ASCII):	"E0"

\*9 See also command „DX“, **chapter 7.2.5.**

\*10 See also command „DD“, **chapter 7.2.5.**

\*11 see also command „DA“, **chapter 7.2.5.**

Particle diameter class			Particle speed class		
Class	Diameter [mm]	Class width [mm]	Class	Speed [m/s]	Class width [m/s]
1	≥ 0.125	0.125	1	≥ 0.000	0.200
2	≥ 0.250	0.125	2	≥ 0.200	0.200
3	≥ 0.375	0.125	3	≥ 0.400	0.200
4	≥ 0.500	0.250	4	≥ 0.600	0.200
5	≥ 0.750	0.250	5	≥ 0.800	0.200
6	≥ 1.000	0.250	6	≥ 1.000	0.400
7	≥ 1.250	0.250	7	≥ 1.400	0.400
8	≥ 1.500	0.250	8	≥ 1.800	0.400
9	≥ 1.750	0.250	9	≥ 2.200	0.400
10	≥ 2.000	0.500	10	≥ 2.600	0.400
11	≥ 2.500	0.500	11	≥ 3.000	0.400
12	≥ 3.000	0.500	12	≥ 3.400	0.800
13	≥ 3.500	0.500	13	≥ 4.200	0.800
14	≥ 4.000	0.500	14	≥ 5.000	0.800
15	≥ 4.500	0.500	15	≥ 5.800	0.800
16	≥ 5.000	0.500	16	≥ 6.600	0.800
17	≥ 5.500	0.500	17	≥ 7.400	0.800
18	≥ 6.000	0.500	18	≥ 8.200	0.800
19	≥ 6.500	0.500	19	≥ 9.000	1.000
20	≥ 7.000	0.500	20	≥ 10.000	10.000
21	> 7.500	0.500			
22	> 8.000	∞			

**Table 6: Disdrometer class binning of diameter and speed**

Type of Precipitation	Internal	NWS Code	SYNOP ww Tab.4677	METAR/SPECI w'w' Table 4678	SYNOP WaWa Tab.4680
Sensor error	0		-1 *	????? **	-1 *
No precipitation	1	C	00	NP	00
Precipitation (not identified ****)	2	P-,P,P+	-2,-3,-4 *	-UP,UP,+UP	41,41,42
Drizzle (also freezing ***)	3	L-,L,L+	51,53,55	-DZ,DZ,+DZ	51,52,53
Freezing drizzle (see drizzle ***)		[ZL] L-,L,L+	[56,57,57] 51,53,55	[FZDZ] -DZ,DZ,+DZ	[54,55,56] 51,52,53
Drizzle with rain (also freezing ***)	4	RL-,RL,RL+	58,59,59	-RADZ, RADZ,+RADZ	57,58,58
Rain (also freezing ***)	5	R-,R,R+	61,63,65	-RA,RA,+RA	61,62,63
Freezing rain (see rain ***)		[ZR] R-,R,R+	[66,67,67] 61,63,65	[FZRA] -RA,RA,+RA	[64,65,66] 61,62,63
Rain and/or drizzle with snow	6	RLS-,RLS, RLS+	68,69,69	-RASN, RASN,+RASN	67,68,68
Snow	7	S-,S,S+	71,73,75	-SN,SN,+SN	71,72,73
Ice pellets (see soft hail ***)	9	[IP] SP	[79] 87,88,88	[PE/PL] GS	74,75,76
Snow grains (also ice prisms ***)	8	SG	77	-SG,SG,+SG	77
Ice crystals /-needles (see snow grains ***)		[IC] SG	[76] 77	[IC] SG	[78] 77
Soft hail ( also ice pellets ***)	9	SP	87,88,88	-GS,GS,+GS	74,75,76
Hail	10	A	89,90,90	GR	89

**Table 7: Code table SYNOP/METAR**

\* Code comply not with WMO SYNOP code (FORM OF MESSAGE FM12) code table 4677 or 4680.

\*\* Code comply not with WMO SYNOP code (FORM OF MESSAGE FM15) code table 4678.

\*\*\* Definitions of table 4677/4678/4680 were not meet by liquid precipitation (determination freezing/not freezing), determination soft hail/ice pellets and snow grains/ice prism.

\*\*\*\* If this precipitation type is often detected, the sensor should be cleaned. Normally natural reasons (e.g. spider web) are responsible for this behaviour. This report should be managed as a error, therefore we recommend to not use this precipitation type and the intensity. In the same way the precipitation types drizzle and snow grains should not observed until the disturbance is eliminated, because they could be erroneous.

[...] Not identifiable/reference value i.e. code in brackets will be not transmitted.

Additional hints:

- The code tables for SYNOP and METAR are described in the 506-sided WMO document number 306 (WMO-No.306 “Manual on Codes” Vol. I.1, 2010 edition).
- The coding is done according the WMO\* and ICAO\*\* guidelines in the precipitation type and the intensity step (see the following table **Table 8**).
- Example:

Sensor detects drizzle with 0.22mm/h intensity.

Output

code:

Code table	Intensity step	Coding
SYNOP Tab.4677	Moderate	53
SYNOP Tab.4680		52
METAR Tab.4678		DZ

Intensities [mm/h]	Slight	Moderate	Heavy
Drizzle	< 0.1	0.1 ... < 0.5	>= 0.5
Rain, drizzle with rain, unknown precipitation	< 2.5	2.5 ... < 10.0	>= 10.0
Snow, Rain with snow, Snow grains, Ice pellets / soft hail	< 1.0	1.0 ... < 5.0	>= 5.0
Hail (only Tab.4677)	< 2.5	>= 2.5	

**Table 8: Intensity steps SYNOP + METAR**

\* : Guide to Meteorological Instruments and Methods of Observation, WMO-No.8 Ed2008 Part1 Ch14 Up2010.

\*\* : Manual on Automatic Meteorological Observing Systems at Aerodromes, Second Edition 2011, Doc 9837 AN/454.

## 7.3.2 Telegram 6/7: Synop, Metar, optional measuring channel

This telegram is transmitted every minute by the instrument (without request of receiver), when the parameter "TM" ([chapter 7.2.3](#)) is 6 or 7 (automatic mode). The request of the telegram (polling mode) is possible with the command „<id>TR00006“ (or „<id>TR00007“).

List separator: ; (Semicolon)

Decimal separator: . (Point)

Start of telegram: STX(02)

End of telegram: CR(13), LF(10), ETX(03) (carriage return, line feed, ETX)

Fixed length and leading zeros.

Error code/data not available: output of the greatest presentable number (e.g. "99.9")

Example telegram 6:

```
00;0999;2.00;11.02.05;10:48:00;00;00;NP ;004.047;75;73;+SN
;020.234;000.000;020.234;0000.34;00319;66.7;100;0.0;0;0;0;0;0;0;0;1;0;0;0;0;+19;28;1626;40
11;2346;236;085;068;+04.6;000;0000;0000;0000;00044;C7;
```

### Telegram 7: Synop, Metar, optional Measuring Channels

In addition to the output given above telegram 6 the optional measuring channels are output at the end (see also command "DA", [chapter 7.2.5](#))

Example :

```
00;0999;2.00;11.02.05;10:50:56;00;00;NP ;004.047;00;00;NP
;000.000;000.000;000.000;0000.34;99999;-
9.9;100;0.0;0;0;0;0;0;0;0;0;0;0;0;1;0;0;0;0;+19;28;1627;4010;2344;236;084;068;+04.6;000;0000;0000;
0000;00000;+04.6;99999;00.0;999;C2;
```

No.	Column	Len	Description	
1	1	1	STX (start identifier)	*
...	...	...		*
51	207-211	5	Number of all measured particles (NNNNN)	*
52	213-214	2	Checksum (not with „<id>TM00007“) (AA)	**
53	216-217	2	CRLF (not with „<id>TM00007“)	
54	218	1	ETX (End identifier) (not with „<id>TM00007“)	



Additionally with telegram 7:

No.	Column	Len	Description	
52	213-217	5	Temperature [°C] (NNN.N)	***
53	219-223	5	Relative Air humidity [%r.h.] (NNN.N)	***
54	225-228	4	Wind speed [m/s] (NN.N)	***
55	230-232	3	Wind direction [°] (NNN)	***
56	234-235	2	Checksum (AA)	**
57	237-238	2	CRLF	
58	239	1	ETX (End identifier)	

- \* Parameter accordant to telegram 4 und 5 (see **chapter 7.3.1**).
- \*\* Calculation correspondent to telegram 4 und 5 (see **chapter 7.3.1**).
- \*\*\* Parameter correspondent to command „DA“ (see **chapter 7.2.5**).

### 7.3.3 Telegram 8/9: Synop, Metar, optional measuring channel truncated

This telegram is transmitted every minute by the instrument (without request of receiver), when the parameter “TM” ([chapter 7.2.3](#)) is 8 or 9 (automatic mode). The request of the telegram (polling mode) is possible with the command „<id>TR00008“ (or „<id>TR00009“).

List separator: ; (Semicolon)

Decimal separator: . (Point)

Start of telegram: STX(02)

End of telegram: CR(13), LF(10), ETX(03) (carriage return, line feed, ETX)

Fixed length and leading zeros.

Error code/data not available: output of the greatest presentable number (e.g. “99.9”)

Example telegram 8:

```
61;0000;2.30;01.01.07;18:36:00;00;00;NP ;000.000;00;00;NP
;000.000;000.000;000.000;0000.00;99999;-9.9;100;0.0;ED;
```

### Telegram 9:

In addition to the output given above telegram 8 the optional measuring channels are output at the end (see also command "DA", **chapter 7.2.5**)

Example Telegram 9:

```
61;0000;2.30;01.01.07;18:43:00;00;00;NP ;000.000;00;00;NP
;000.000;000.000;000.000;0000.00;99999;-9.9;100;0.0;99999;99999;9999;999;3A;
```

No.	Column	Len	Description	
1	1	1	STX (start identifier)	*
...	...	...		*
21	112-114	3	1M Maximum diameter hail [mm] (1 minute value) (N.N))	*
22	116-117	2	Checksum (not with „<id>TM00007“) (AA)	**
23	119-120	2	CRLF (not with „<id>TM00007“)	
24	121	1	ETX (End identifier) (not with „<id>TM00007“)	

Additionally with telegram 9:

No.	Column	Len	Description	
22	116-120	5	Temperature [°C] (NNN.N)	***
23	122-126	5	Relative Air humidity [%r.h.] (NNN.N)	***
24	128-131	4	Wind speed [m/s] (NN.N)	***
25	133-135	3	Wind direction [°] (NNN)	***
26	137-138	2	Checksum (AA)	**
27	140-141	2	CRLF	
28	142	1	ETX (End identifier)	

- \* Parameter accordant to telegram 4 und 5 (see **chapter 7.3.1**).
- \*\* Calculation correspondent to telegram 4 und 5 (see **chapter 7.3.1**).
- \*\*\* Parameter correspondent to command „DA“ (see **chapter 7.2.5**).



No	column	Length	Description	
1	1	1	STX (start identification)	*
...	...	...		*
55	230-232	3	wind direction [°] (NNN)	*
56	234-235	2	Averaging period in minutes (NN) (setting command „TO“ -)	
57	237-243	7	Mean intensity in the averaging period in mm/h (NNN.NNN)	
58	245-251	7	Maximum 1-min-intensity in the averaging period in mm/h (NNN.NNN)	
59	253-254	2	Macimum value SYNOP Tab.4680 in the averaging period (NN)	
60	256-257	2	1M SYNOP Tab.4680 transmission time-9 minutes (1-minute value) (NN)	
61	259-260	2	1M SYNOP Tab.4680 transmission time-8 minutes (1-minute value) (NN)	
62	262-263	2	1M SYNOP Tab.4680 transmission time-7 minutes (1-minute value) (NN)	
63	265-266	2	1M SYNOP Tab.4680 transmission time-6 minutes (1-minute value) (NN)	
64	268-269	2	1M SYNOP Tab.4680 transmission time-5 minutes (1-minute value) (NN)	
65	271-272	2	1M SYNOP Tab.4680 transmission time-4 minutes (1-minute value) (NN)	
66	274-275	2	1M SYNOP Tab.4680 transmission time-3 minutes (1-minute value) (NN)	
67	277-278	2	1M SYNOP Tab.4680 transmission time-2 minutes (1-minute value) (NN)	
68	280-281	2	1M SYNOP Tab.4680 transmission time-1 minute (1-minute value) (NN)	
69	283-284	2	1M SYNOP Tab.4680 transmission time (1-minute value (NN)	**
70	286-287	2	Checksum (AA)	***
71	289-290	2	CRLF	
72	291	1	ETX (end identification)	

\* Parameter acc. to telegram 7 (see **chapter 7.3.2.**).

\*\* Corresponds to value no. 12 (column 56 and 57) of the telegram.

\*\*\* Calculation acc. to telegram 4 and 5 (see **chapter 7.3.1.**).

### 7.3.5 Telegram 3: Particle-Event

The instrument transmits (without request of the receiver) this telegram with every event (particle falling through the measuring area). Output of all measured particles with higher precipitation intensities is not guaranteed. The command to set this telegram is “<id>TM00003” (see [chapter 7.2.3](#))

List separator: ; (Semicolon)  
 Decimal separator: . (Point)  
 End of telegram: CRLF (Carriage return + Line Feed)

---

**NOTE:**

*We do not recommend to use this telegram with communication in half-duplex-mode (command “BD”, see [chapter 7.2.1](#)), because of the autonomous transmitting of the sensor. Preferably use high baud rate*

---

No.	Description
1	Maximal value of A/D-converter [0...16383]
2	Duration of event [10µs]
3	Time stamp (0...4,294,967,295) [ms]
4	Diameter sphere [mm]
5	Speed sphere [m/s]
6	Diameter “Hamburger”(rain) [mm] *
7	Speed “Hamburger” (rain) [m/s] *
8	Internal Temperature [°C]

\* “Hamburger”-shape: Only very small raindrops with diameters well below 1mm will be perfect spheres due to their high surface tension. Larger drops tend to be flattened, leading to oblate shapes (“Hamburger”). For this reason use this values for rain particles.

Example: 14764;8728;493413279;7.01;00.09;5.75;00.08;+19  
 Diameter sphere: 7.01mm  
 Speed sphere: 00.09m/s

## 8 Technical Data

<b>General:</b>	
Ambient conditions	-40... +70 °C, 0... 100% r.h.
Maximum altitude	<1500m MSL (for greater heights please refer to the manufacturer)
Dimensions	0,27 x 0,17 x 0,54m    10.63 x 6.7 x 21.3inch (w/o mast holder)
Weight	4.8kg (5.4110.x0.xxx) 6.5kg (5.4110.x1.xxx) ("Extended Heating"-variant)
Housing electronics	Aluminium die-casting, varnished
Housing sensors	Aluminium (anodised)
Protection	IP65
Maintenance	Automatic soil-recognition for cleaning the optics
EMC Immunity	EN61326 in conjunction with EN61000-4-3 10V/m (5.4110.x1.xxx: 7V/m (10V/m)) EN61000-4-4 level 4 (power line $\pm 4\text{kV}$ , signal line $\pm 2\text{kV}$ ) EN61000-4-5 level 4 (power line $\pm 2\text{kV}_{\text{symmetric}}$ $\pm 4\text{kV}_{\text{asymmetric}}$ , signal line $\pm 2\text{kV}_{\text{symmetric}}$ )
Radiation	EN61326 class B
Mounting	Mast mounting ( $\varnothing$ 48... 102mm, 1.9... 4inch) Stainless steel

<b>Power supply:</b>	
5.4110.x0.0xx: Supply voltage (heating + electronics) Max. current consumption 24V~/= AC/DC-input Note: supply must be potential-free	24V~ AC +15% -30% / 20...30V= DC 750mA
5.4110.x1.0xx: Supply voltage (heating + electronics) Max. current consumption 24V~/= AC/DC-input Supply voltage Extended Heating Max. current consumption Extended Heating Note: Both supplies must be potential-free, also among each other.	24V~ AC +15% -30% / 20...30V= DC 750mA 26V~ AC ±15% / 22...30V= DC 6.3A
5.4110.x0.1xx: Supply voltage AC (heating + electronics) Maximum power consumption	115V~ AC +10% -25% 15VA
5.4110.x1.1xx: supply voltage AC (heating + electronics) Maximum power consumption	115V~ AC +10% -25% 150VA
5.4110.x0.2xx: Supply voltage AC (heating + electronic) Maximum power consumption	230V~ AC +10% -25% 15 VA
5.4110.x1.2xx: Supply voltage AC (heating + electronic) Maximum power consumption	230V~ AC +10% -25% 150VA
5.4110.x0.3xx: Supply voltage DC (heating + electronic) Maximum current consumption 12V..24V= DC Note: supply must be potential-free	12 ... 24V= DC ±10% <550mA(12V=) <500mA(24V=)
Buffer input/UPS-operation: <sup>1</sup> Supply voltage DC (only electronics) Current consumption DC input (only electronics) Note: supply must be potential-free Applies for all models except 5.4110.xx.3xx	12 ... 24V= DC ±10% < 150mA (12V=) < 75mA (24V=)

<b>Heating:</b>	
Glass pane heating	2.5W each (with temperature regulation)
Option: heating for extreme conditions (5.4110.x1.xxx)	The heating is controlled in dependency on the ambient temperature. Laser-/Receiver-Head: 9W each Carriers: 27W each Housing: 20W
<b>Sensors:</b>	
Laser diode	785nm, max. 0,5mW optical power
Laser class	Laser class 1M (EN 60825-1:1994 A2: 2001)
Modulation frequency	172.8KHz
Photo diode	with day light filter (< 700nm)
Measuring area	40...47cm <sup>2</sup> (instrument-specific)
Ambient temperature sensor	7.067inch <sup>2</sup> (8.98 x 0.787inch) NTC (5.4110.x0.xxx) Pt100 (5.4110.x1.xxx , measurement current < 0.8mA)
<b>Electronics for evaluation:</b>	
Digital signal processor	TMC320VC33 (55.3MHz)
RAM-memory	136KB
Flash-memory	256KB (for firmware and parameter, to be uploaded via serial interface) No. of changes: 1 million
14Bit-A/D-converter	scanning 109KHz (for optical measuring signal)
12Bit-A/D-converter	For self diagnosis and optional measuring input
<b>Data output:</b>	
RS485/RS422	Potential isolation up to 1KV 1200,2400,4800,9600,19200,38400,57600,115200Bd 7 / 8 data bits, parity none(N) / even(E) / odd(O) 1 / 2 stop bits full-duplex (4-wire) or half-duplex (2-wire), latency time 20ms (half-duplex) terminator resistor (560Ω) switch able
Digital output	2 optocouplers (max. 24VDC, max. 1mA) Potential isolation up to 1KV Function selectable



<b>Precipitation:</b>	
Particle size (effective) <sup>2</sup>	0,16 ... >8mm Ø
Particle speed	0,2 ... 20m/s
Identification of precipitation types: -drizzle (DZ), freezing drizzle (FZDZ) -rain (RA), freezing rain (FZRA) -hail (GR) -snow (SN) -snow grains (SG), ice needles (IC) -soft hail (GS), ice grains (PL)	Hit rate (compared with synoptic observation, wind speed < 3m/s) >97% (Intensity > 0.01mm/h) >99% (>= 2 particles/min, no solid precipitation) >97% <sup>3</sup> (>= 2 particles/min) >99% (no mixed precipitation) >60% >85%
<sup>3)</sup> According to human observer	
Output Precipitation Type	SYNOP (Tab.4677 + 4680), METAR (Tab.4678)
Accuracy <sup>4</sup> Error intensity-/quantity measurement (rain equivalent) compared with reference sensor (wind speed< 3m/s)	±5% ≤ 15% (rain, 0,5... 20mm/h) ≤ 30% (snow)
<sup>4)</sup> Adjustment under laboratory conditions with a specific test system with the permissible tolerance of ± 5%. Each LNM is supplied with a factory acceptance certificate after passing the calibration.	
Minimum Intensity (depending on precipitation type)	< 0,001mm/h (drizzle)
Maximum Intensity	1000mm/h
Visibility MOR in precipitation <sup>5</sup>	0 ... 99999m
Radar reflectivity	-9.9 ... 99.9dBZ
Disdrometer classes	440 classes (22 diameter * 20 speed)

<b>Option Measuring Inputs: 5.4110.1x.xxx</b>	
Temperature (Pt100) (not available for variant 5.4110.11.xxx)	Meas. range: -40... 70°C Accuracy: ±0.1°C (measuring input)
Relative humidity (0-1V)	Meas. range: 0 ... 100% r. h. Accuracy: ±0.1% (meas. range)
Wind Speed (Thies Compact, e.g. 4.3519.00.000)	Meas. range: 0 ... 60m/s Accuracy: ±0.1m/s (measuring input)
Wind direction (Thies Compact, e.g. 4.3129.00.000)	Meas. range: 0 ... 360°
<b>Accessories (Optional):</b>	
Visualisation software LNM-View (9.1700.99.000)	For Windows operating systems Win8, Win10
Instrument Support (4.3187.61.200) For the vibration-reduced operation of the LPM at 2 m height on an available concrete foundation, provided by the customer.	Tube length: 2m Tube diameter: 60mm Weight: 30Kg Material: Steel, hot-dip galvanized

Alteration of technical data reserved

- 1) Supply must be potential-free, or the negative voltage is on the same potential as the housing of the sensor (protective earth). This UPS-supply ("uninterruptible power supply") allows a restricted operation (no heating) of the sensor whenever the normal supply falls out.
- 2) Applies for liquid and solid particles like rain, pellets / graupel and hail. For snow flakes by reason of the less optical extinction a greater maximum diameter can be assumed.
- 5) Visibility in the precipitation: Only atmospheric hazes caused by big hydro-meteors (for ex. drizzle, rain, snow) are acquired.

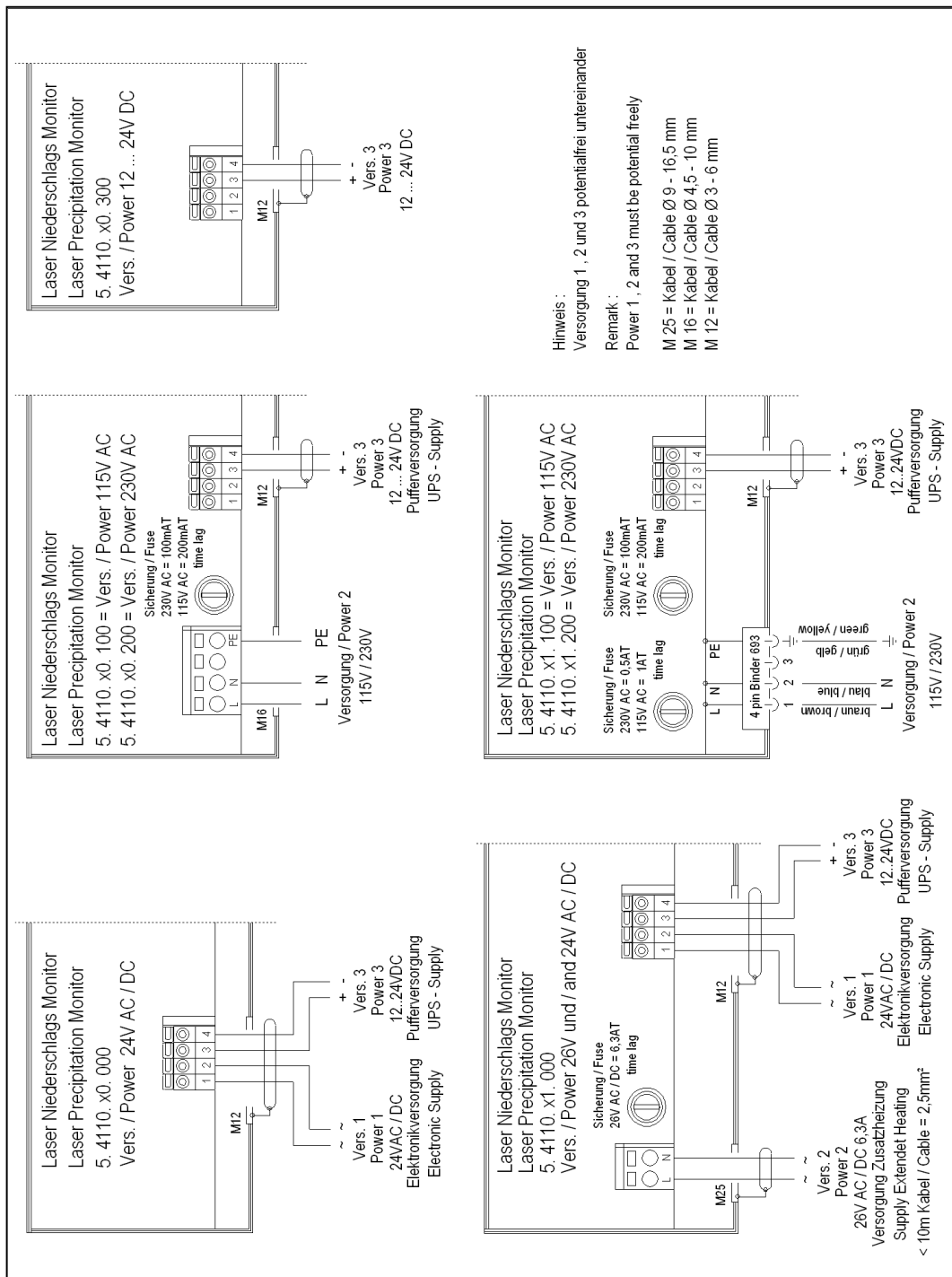
# 9 Wiring Diagram



**ATTENTION:** Do not look into the invisible laser beam!

## Wiring Diagram Supply:

Note: Wiring diagram communication see following page.

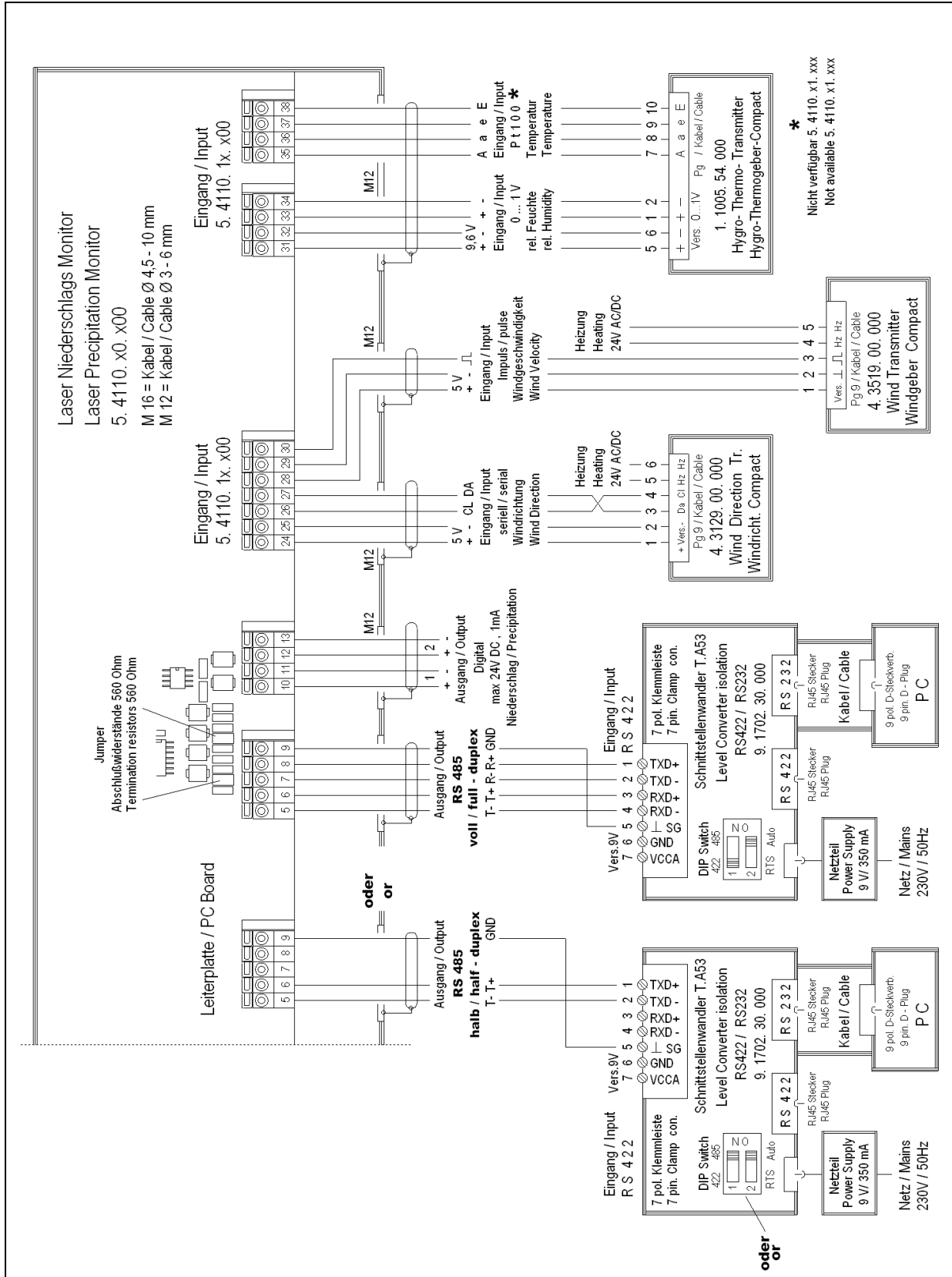


Hinweis:  
 Versorgung 1, 2 und 3 potentialfrei untereinander

Remark:  
 Power 1, 2 and 3 must be potential freely  
 M 25 = Kabel / Cable Ø 9 - 16,5 mm  
 M 16 = Kabel / Cable Ø 4,5 - 10 mm  
 M 12 = Kabel / Cable Ø 3 - 6 mm

# Wiring Diagram Communication and Measuring Inputs:

Note: Wiring diagram supply see previous page.



**Attention:**

**Head and carrier heating could be hazardous hot! Burn Hazard! (applies only for 5.4110.x1.xxx)**

---

**NOTE:**

*Run all supply cables in the housing through the delivered ferrite tube! (see **Figure 11**, applies not for variant 5.4110.x1.xxx)*

*Power input 1(24V AC/DC) and 3 (12..24 V DC) must be potential-free, or the negative voltage is on the same potential as the housing of the sensor (protective earth).*

*This UPS-supply (Power 3) allows a restricted operation (no heating) of the sensor whenever the normal supply falls out. (Applies not for variant 5.4110.xx.3xx)*

---

## 10 More Information / Documents as download

---

Further information can be found in the short instructions for use. These document and also the instruction for use are available for download under the following links.

Short instruction for use

[https://www.thiesclima.com/db/dnl/5.4110.xx.x00\\_Laser\\_Precipitation\\_Monitor\\_eng\\_short.pdf](https://www.thiesclima.com/db/dnl/5.4110.xx.x00_Laser_Precipitation_Monitor_eng_short.pdf)

Instruction for use

[https://www.thiesclima.com/db/dnl/5.4110.xx.x00\\_Laser\\_Precipitation\\_Monitor\\_eng.pdf](https://www.thiesclima.com/db/dnl/5.4110.xx.x00_Laser_Precipitation_Monitor_eng.pdf)

# 11 EC-Declaration of Conformity

Document-No.: 000904

Month: 11 Year: 21

Manufacturer: **ADOLF THIES GmbH & Co. KG**

Hauptstr. 76  
 D-37083 Göttingen  
 Tel.: (0551) 79001-0  
 Fax: (0551) 79001-65  
 email: [Info@ThiesClima.com](mailto:Info@ThiesClima.com)

This declaration of conformity is issued under the sole responsibility of the manufacturer

Description of Product: **Laser-Niederschlags-Monitor**

Article No.	<b>5.4110.00.000</b>	<b>5.4110.00.100</b>	<b>5.4110.00.200</b>	<b>5.4110.00.210</b>
	<b>5.4110.00.300</b>	<b>5.4110.01.000</b>	<b>5.4110.01.100</b>	<b>5.4110.01.200</b>
	<b>5.4110.01.210</b>	<b>5.4110.10.000</b>	<b>5.4110.10.100</b>	<b>5.4110.10.200</b>
	<b>5.4110.10.300</b>	<b>5.4110.11.000</b>	<b>5.4110.11.100</b>	<b>5.4110.11.200</b>
	<b>5.4110.20.200</b>	<b>5.4110.22.200</b>	<b>5.4111.00.210</b>	<b>5.4111.01.210</b>
	<b>5.4110.22.300</b>			

specified technical data in the document: **021340/11/21; 021418/04/13; 021806/06/19; 021811/08/20**

The indicated products correspond to the essential requirement of the following European Directives and Regulations:

2014/30/EU	DIRECTIVE 2014/30/EU OF THE EUROPEAN PARLIAMENT AND OF THE COUNCIL of 26 February 2014 on the harmonisation of the laws of the Member States relating to electromagnetic compatibility
2014/35/EU	DIRECTIVE 2014/35/EU OF THE EUROPEAN PARLIAMENT AND OF THE COUNCIL of 26 February 2014 on the harmonisation of the laws of the Member States relating to the making available on the market of electrical equipment designed for use within certain voltage limits
552/2004/EC	Regulation (EC) No 552/2004 of the European Parliament and the Council of 10 March 2004 on the interoperability of the European Air Traffic Management network (the interoperability Regulation)
2011/65/EU	DIRECTIVE 2011/65/EU OF THE EUROPEAN PARLIAMENT AND OF THE COUNCIL of 8 June 2011 on the restriction of the use of certain hazardous substances in electrical and electronic equipment
2012/19/EU	DIRECTIVE 2012/19/EU OF THE EUROPEAN PARLIAMENT AND OF THE COUNCIL of 4 July 2012 on waste electrical and electronic equipment (WEEE)


The indicated products comply with the regulations of the directives. This is proved by the compliance with the following standards:

EN 61000-6-2	Electromagnetic compatibility Immunity for industrial environment
EN 61000-6-3	Electromagnetic compatibility Emission standard for residential, commercial and light industrial environments
EN 61010-1	Safety requirements for electrical equipment for measurement, control, and laboratory use. Part 1: General requirements
EN 50581	Technical documentation for the assessment of electrical and electronic products with respect to the restriction of hazardous substances
IEC 60825-1	Safety of laser products classification 1M

Place: Göttingen  
 Signed for and on behalf of:

Date: 02.11.2021

Legally binding signature:



Dr. Christoph Peper, General Manager

issuer:



ppa. Jörg Petereit, Development Manager

This declaration certifies the compliance with the mentioned directives, however does not include any warranty of characteristics. Please pay attention to the security advises of the provided instructions for use.



**Please contact us for your system requirements.  
We advise you gladly.**

**ADOLF THIES GMBH & CO. KG**

Meteorology and environmental metrology  
Hauptstraße 76 · 37083 Göttingen · Germany  
Phone +49 551 79001-0 · Fax +49 551 79001-65  
info@thiesclima.com



[www.thiesclima.com](http://www.thiesclima.com)